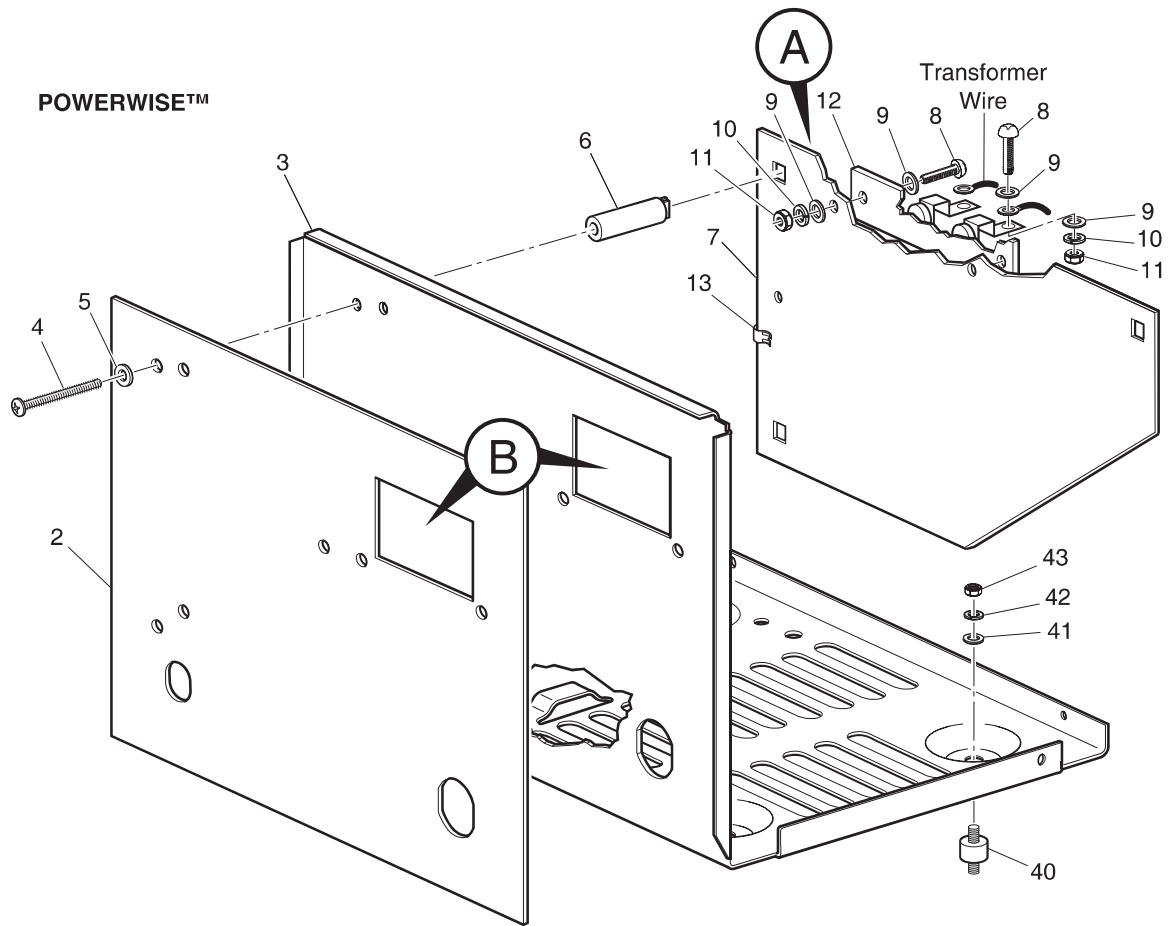
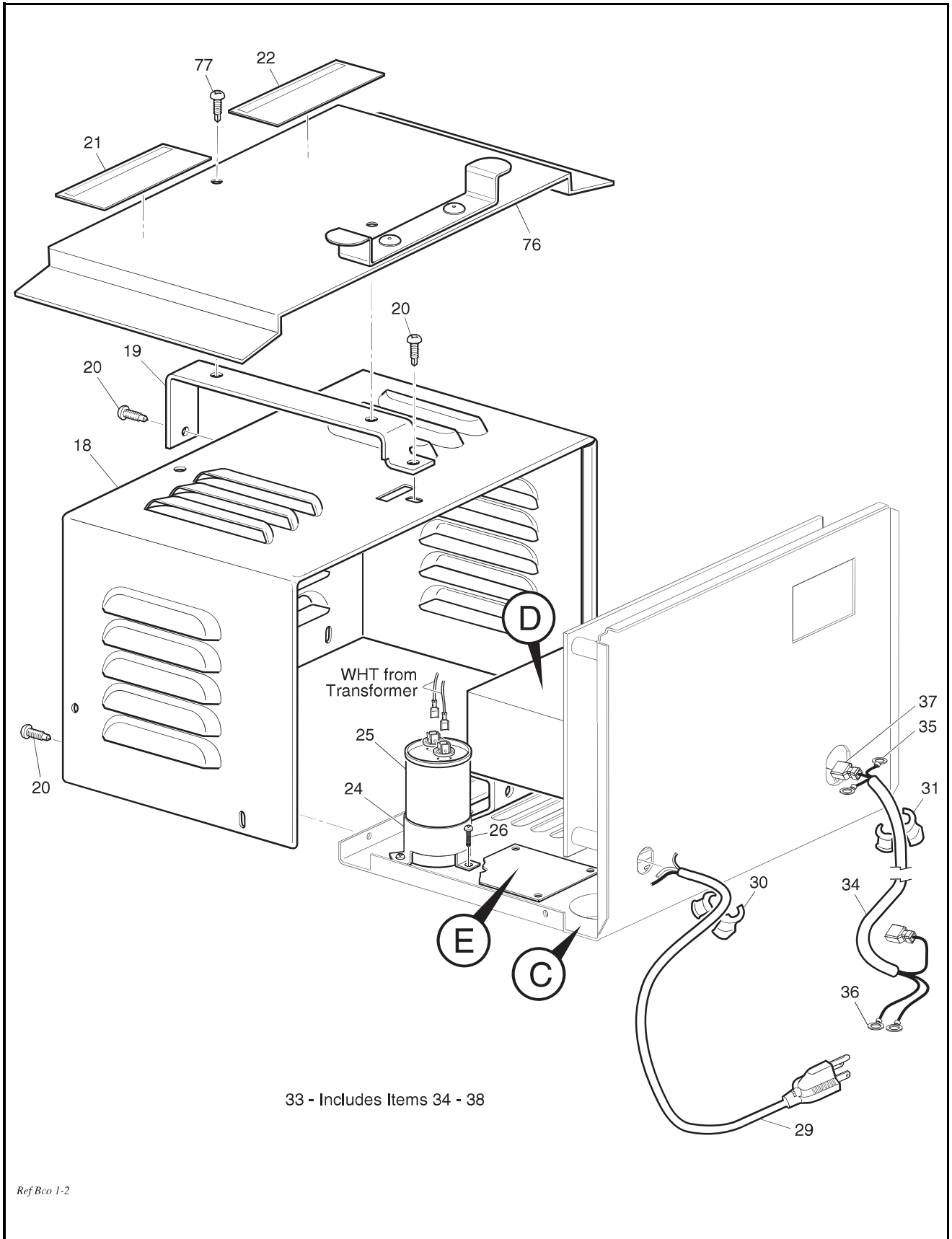


BATTERY CHARGER - ON BOARD 36 VOLT



Ref Bco 1-1

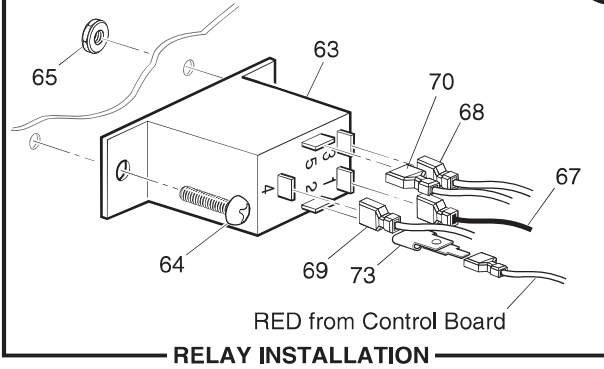
BATTERY CHARGER - ON BOARD 36 VOLT



BATTERY CHARGER - ON BOARD 36 VOLT

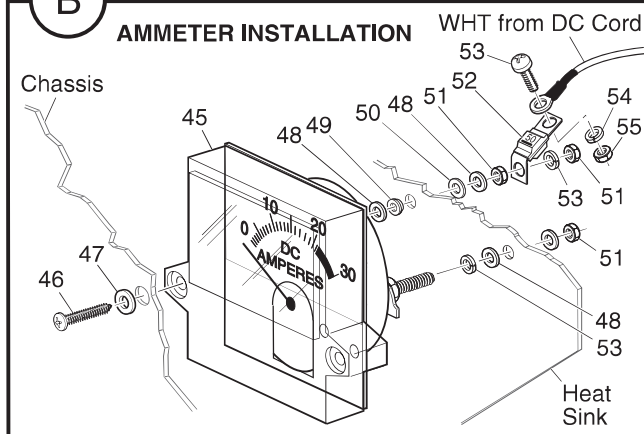
- Pin 1 - Wire 67 to Input Board "COM"
- Pin 2 - Tab Adapter 73, RED wire from Control Board
- Pin 3 - Wire 68 to Input Board "WHT"
- Pin 4 - Wire 69 to Heat Sink Clip
- Pin 5 - Wire 70 to DC Cord RED Wire

A

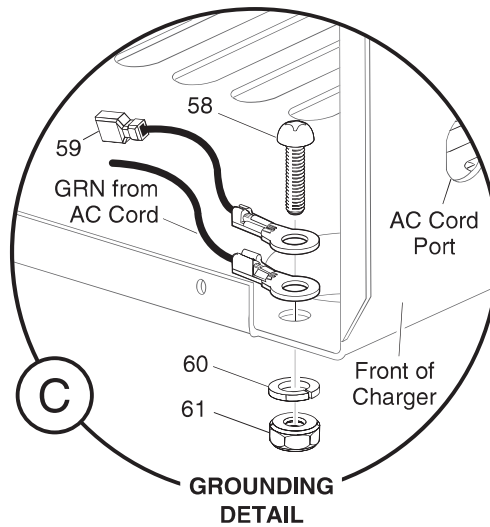


B

AMMETER INSTALLATION

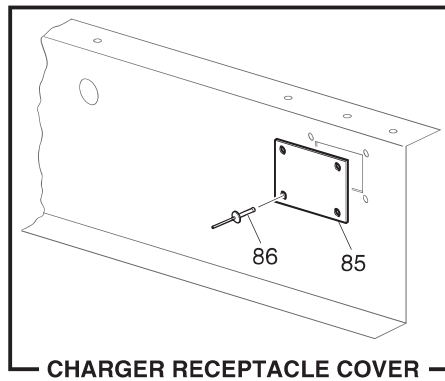
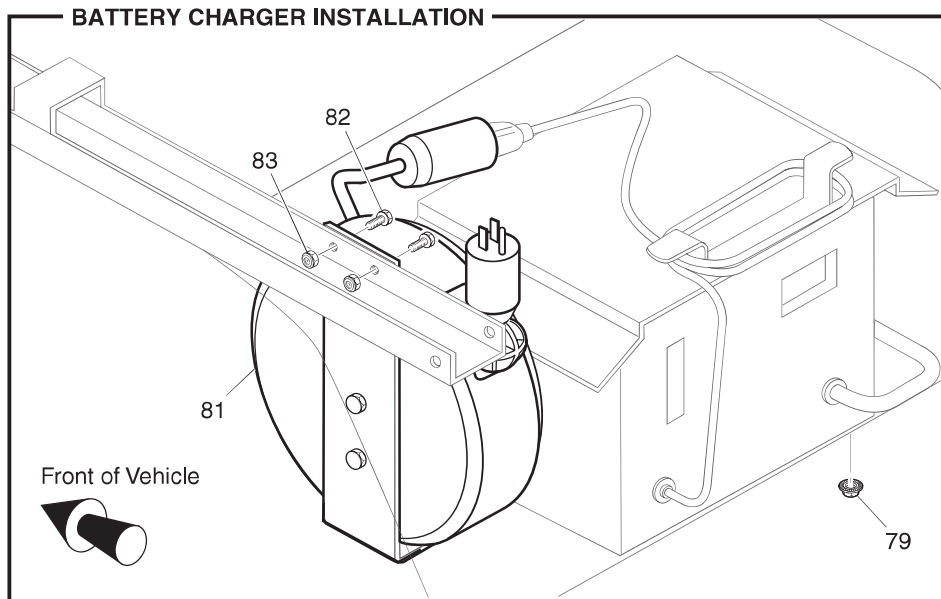
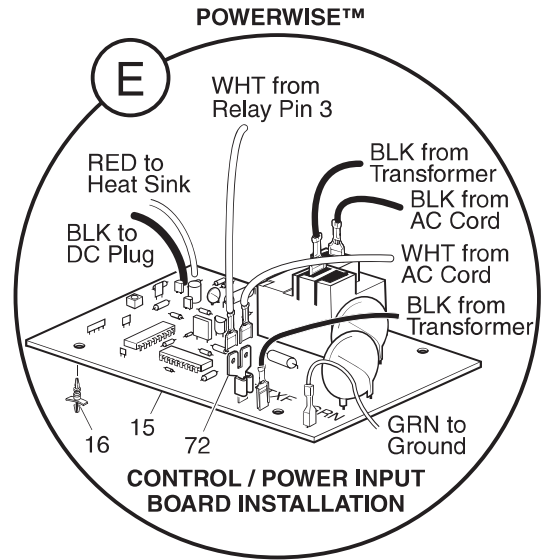
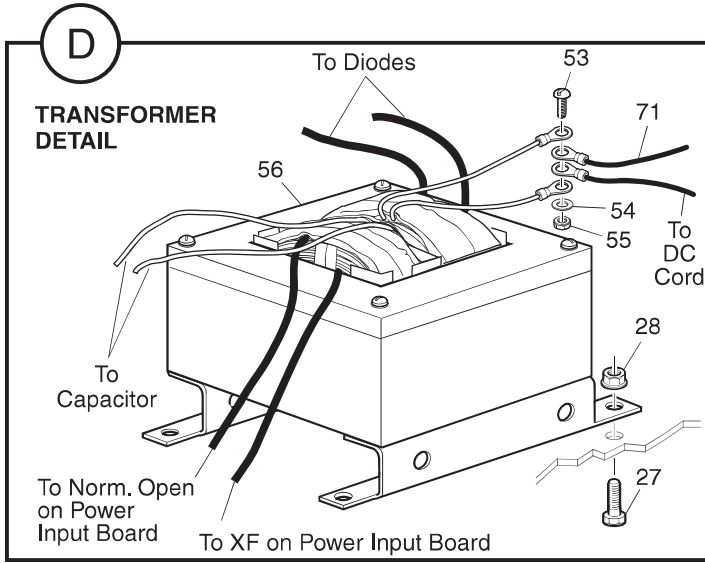


C



Ref Bco 1-3

BATTERY CHARGER - ON BOARD 36 VOLT



Ref Bco 1-4

BATTERY CHARGER - ON BOARD 36 VOLT

Where applicable, THE USE OF NON UL PARTS WILL VOID ANY UL LISTING.
 When ordering parts, please specify the model and serial number of the product.
 * Indicates a component that is not available as an individual part.
 G** Indicates consult Customer Service Department for additional information.

ITEM	PART NO.	1	2	3	4	5	DESCRIPTION	QTY.
1	28115-G11						POWERWISE™ CHARGER (ON BOARD) (INCLUDES ITEMS 2 - 74).....	1
2	*						LABEL (POWERWISE™).....	1
3	*						CHASSIS	1
4	00513-G6						SCREW, #8 - 18 X 1 3/4" LG	2
5	00559-G4						WASHER, #8	2
6	11572-G3						EXPANSION NUT.....	2
7	28104-G01						HEAT SINK	1
8	00372-G4						SCREW, #8 - 32 X 1/2" LG	4
9	00559-G4						WASHER, #8	6
10	00565-G4						LOCK WASHER, #8	4
11	00526-G1						NUT, #8 - 32.....	4
12	28548-G01						DIODE.....	1
13	28110-G01						ELECTRICAL CLIP.....	1
14								
15	28667-G01						CONTROL / POWER INPUT BOARD	1
16	27877-G01						SPACER SUPPORT	4
17								
18	*						COVER.....	1
19	28102-G01						HANDLE	1
20	00614-G4						SCREW, #8 - 18 X 1/2" LG	4
21	28136-G01						LABEL (VENTILATION).....	1
22	28136-G02						LABEL (CORD CONDITION).....	1
23								
24	26979-G01						CAPACITOR BRACKET	1
25	28109-G01						CAPACITOR	1
26	00969-G01						SCREW, #8 - 32 X 3/8" LG	3
27	00414-G5						BOLT, 1/4 - 20 X 5/8" LG.....	3
28	11027-G2						LOCK NUT, 1/4 - 20.....	3
29	19388-G5						AC CORD	1
30	13557-G2						STRAIN RELIEF (AC).....	1

BATTERY CHARGER - ON BOARD 36 VOLT

Where applicable, THE USE OF NON UL PARTS WILL VOID ANY UL LISTING.

When ordering parts, please specify the model and serial number of the product.

* Indicates a component that is not available as an individual part.

G** Indicates consult Customer Service Department for additional information.

ITEM	PART NO.	1	2	3	4	5	DESCRIPTION	QTY.
31	13557-G3						STRAIN RELIEF (DC).....	1
32								
33	73344-G06						DC CORD ASSEMBLY (INCLUDES ITEMS 34 - 38)	1
34	28107-G01						DC CORD.....	1
35	11343-G3						RING TERMINAL, 3/16"	2
36	11343-G1						RING TERMINAL, 5/16"	2
37	17064-G2						FEMALE TERMINAL	2
38	*						HEAT SHRINK TUBING	A/R
39								
40	22009-G2						ISOLATION MOUNT	4
41	00559-G7						WASHER, FL-A-N-CP 1/4.....	4
42	00565-G7						WASHER-LK-SP-CP-1/4	4
43	00532-G1						NUT, 1/4 - 20.....	4
44								
45	28105-G01						AMMETER.....	1
46	01051-G01						SCREW, #8 - 16 X 1/2" LG	2
47	00559-G4						WASHER, #8	2
48	01003-G01						WASHER, #10 (BRASS).....	4
49	22589-G2						SHOULDER WASHER, #10	1
50	00771-G6						NYLON WASHER, 3/8".....	1
51	00528-G4						NUT, #10 - 32 (BRASS)	3
52	28106-G01						50 AMP FUSE.....	1
53	00378-G4						SCREW, #10 - 24 X 1/2" LG	2
54	00565-G5						LOCK WASHER, #10	4
55	00526-G3						NUT, #10 - 24.....	2
56	28103-G01						TRANSFORMER	1
57								
58	00372-G3						SCREW, #8 - 32 X 3/8" LG	1
59	25977-G32						16 GA WIRE (GREEN 4").....	1
60	00565-G4						LOCK WASHER, #8	1

BATTERY CHARGER - ON BOARD 36 VOLT

Where applicable, THE USE OF NON UL PARTS WILL VOID ANY UL LISTING.
 When ordering parts, please specify the model and serial number of the product.
 * Indicates a component that is not available as an individual part.
 G** Indicates consult Customer Service Department for additional information.

ITEM	PART NO.	1	2	3	4	5	DESCRIPTION	QTY.
61	00526-G1						NUT, #8 - 32.....	1
62								
63	21971-G4						RELAY	1
64	00138-G4						SCREW, #6 - 32 X 1/2" LG.....	2
65	14390-G9						LOCK NUT, #6 - 32.....	2
66								
67	25977-G38						16 GA WIRE (BLACK 4").....	1
68	25977-G37						16 GA WIRE (WHITE 5").....	1
69	25978-G161						18 GA WIRE (BLUE 6").....	1
70	25978-G162						18 GA WIRE (YELLOW 6").....	1
71	25978-G163						18 GA WIRE (BLACK 7").....	1
72	17902-G1						ADAPTER TAB	1
73	28305-G01						ADAPTER TERMINAL, 1/4" X 3/16".....	1
74								
75								
76	71968-G02						SHIELD	1
77	00106-G6						SCREW, #12 - 24 X 3/4" LG.....	2
78								
79	11027-G2						LOCK NUT, 1/4 - 20	2
80								
81	73368-G01						CORD REEL	1
82	00438-G6						BOLT, 5/16 - 18 X 3/4" LG.....	2
83	11027-G1						LOCK NUT, 5/16 - 18	2
84								
85	73173-G01						COVER PLATE	1
86	14601-G10						RIVET, 1/8" X 7/16" LG (ALUMINUM).....	4