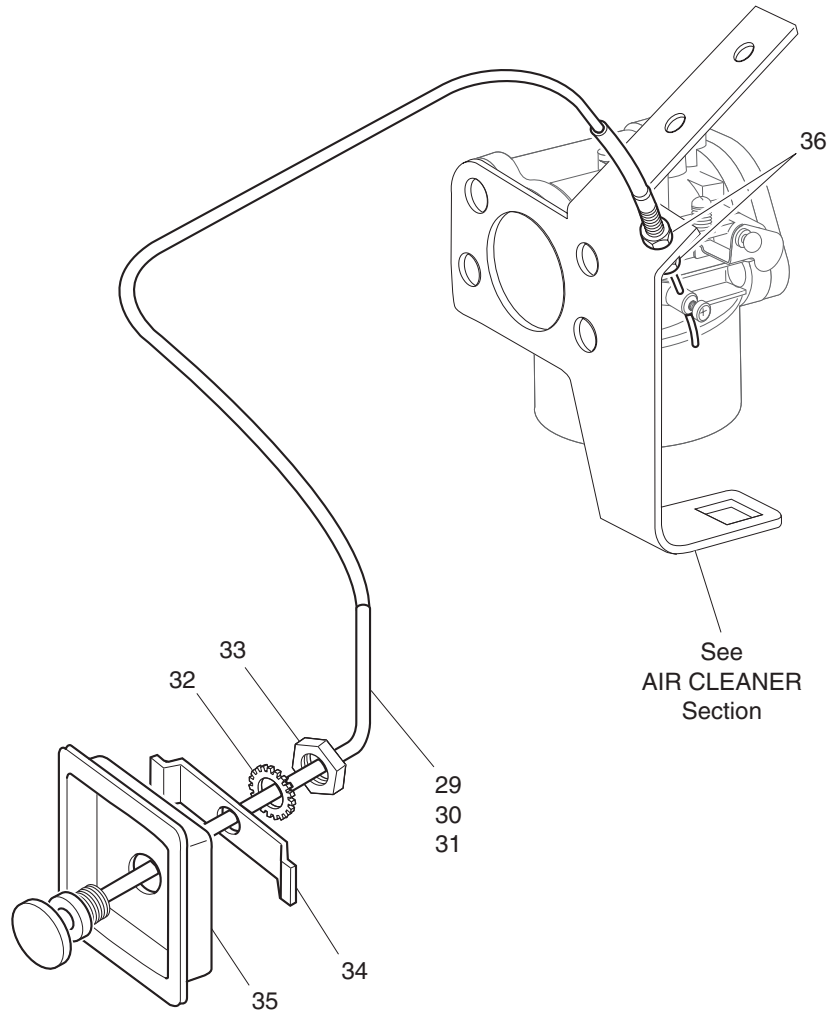


CARBURETOR AND CHOKE



CARBURETOR AND CHOKE

Where applicable, THE USE OF NON UL PARTS WILL VOID ANY UL LISTING.

When ordering parts, please specify the model and serial number of the product.

* Indicates a component that is not available as an individual part.

G** Indicates consult Customer Service Department for additional information.

ITEM	PART NO.	1 2 3 4 5	DESCRIPTION	QTY.
1	72840-G01		CARBURETOR (FOR VEHICLES ORIGINALLY EQUIPPED WITH 295cc (EH29C)) (INCLUDES ITEMS 3 - 17).....	1
2	72840-G02		CARBURETOR (FOR VEHICLES ORIGINALLY EQUIPPED WITH 350cc (EH35C)) (INCLUDES ITEMS 3 - 17).....	1
3	26646-G08		MAIN JET (#86)	1
4	26649-G05		PILOT JET (#46).....	1
5	26841-G01		PLUG	1
6	72306-G01		GASKET	1
7	72578-G01		NEEDLE VALVE	1
8	26648-G01		FLOAT.....	1
9	26840-G01		FLOAT PIN.....	1
10	26843-G01		FLOAT BOWL GASKET	1
11	26844-G01		FLOAT CHAMBER.....	1
12	26839-G01		BOWL SCREW	1
13	26838-G01		BOWL GASKET	1
14	72579-G01		DRAIN SCREW	1
15	26650-G01		VENT TUBE.....	2
16	72317-G01		SCREW.....	1
17	72310-G01		NUT.....	1
18				
19				
20	26646-G**		MAIN JET (***) (FOR ELEVATIONS OF 3000 FT - 6000 FT).....	1
21	26646-G**		MAIN JET (***) (FOR ELEVATIONS OF 6000 FT - 10000 FT).....	1
22				
23				
24	26726-G01		CARBURETOR MOUNT GASKET.....	2
25	72883-G01		CARBURETOR INSULATOR (FOR FUJI ENGINE EH29C)	1
26	72854-G01		CARBURETOR INSULATOR (FOR FUJI ENGINE EH35C)	1
27				
28				
29	25693-G04		CHOKE CABLE (22 1/4" LG WITH NUTS)	1

CARBURETOR AND CHOKE

Where applicable, THE USE OF NON UL PARTS WILL VOID ANY UL LISTING.
 When ordering parts, please specify the model and serial number of the product.
 * Indicates a component that is not available as an individual part.
 G** Indicates consult Customer Service Department for additional information.

ITEM	PART NO.	1 2 3 4 5	DESCRIPTION	QTY.
30	72401-G01		CHOKE CABLE (60 1/4" LG WITH NUTS)	1
31	72401-G02		CHOKE CABLE (31 1/2" LG WITH NUTS)	1
32	00568-G4		LOCK WASHER, 9/16"	1
33	00545-G4		JAM NUT, 9/16 - 18	1
34	72155-G01		RETAINER	1
35	72154-G01		CHOKE CABLE ADAPTER	1
36	00544-G4		JAM NUT, 5/16 - 24	2