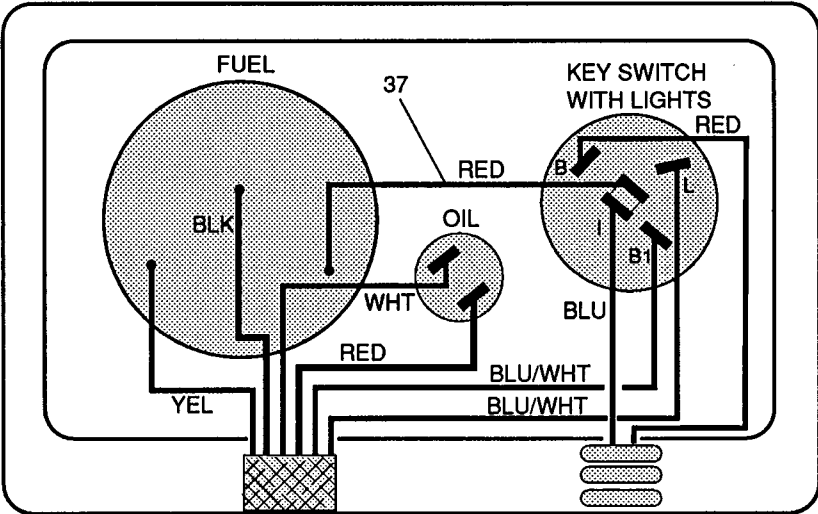
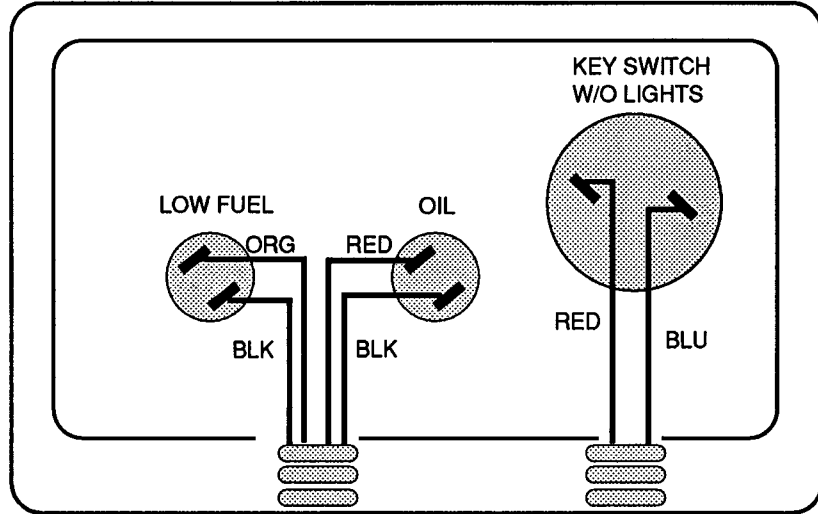


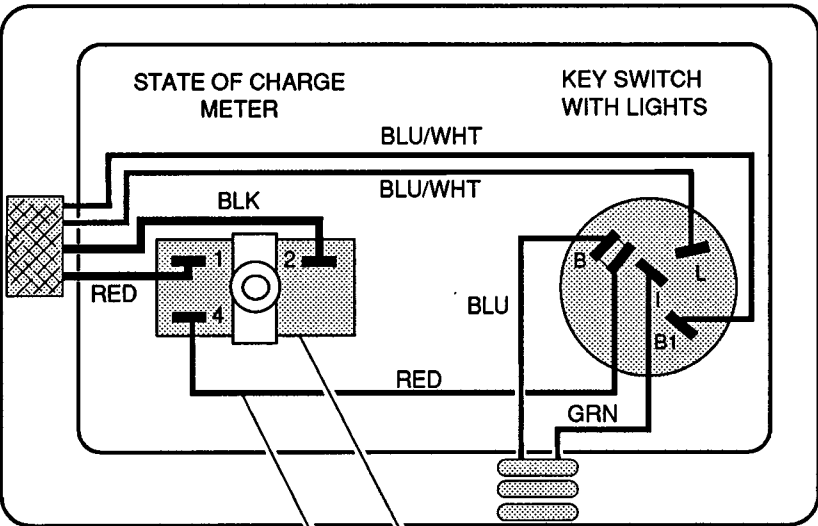
BRAKE LIGHTS MICRO SWITCH CONNECTIONS



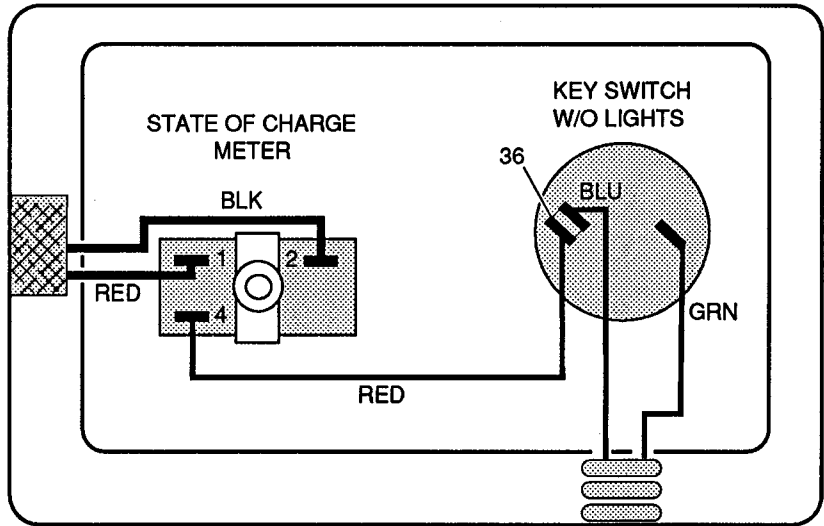
**GAS CAR**



**GAS CAR**



**ELECTRIC CAR**



**ELECTRIC CAR**

THE USE OF NON UL PARTS WILL VOID ANY UL LISTING.

When ordering parts, please specify the model and serial number of the product.

\* Indicates a component that is not available as an individual part.

G\*\* Indicates consult Customer Service Department for additional information.

ITEM	PART NO.	1 2 3 4 5	DESCRIPTION	QTY.
1	22674-G1		FUSE BLOCK .....	1
2	71010-G01		RIVET, 5/32 X 3/8 LG.....	2
3	18392-G1		FUSE, 15 AMP .....	3
4	19344-G1		TAPE, VINYL.....	AR
5	20965-G3		COVER, STEERING COLUMN (VEHICLES WITH TURN SIGNALS) .....	1
6	17318-G2		CAP AND NUT, HORN SWITCH.....	1
7	32860-G1		HORN (WITH MOUNTING HARDWARE).....	1
8	00559-G8		WASHER, 5/16.....	1
9				
10				
11	17318-G1		SWITCH, HORN .....	1
12	27068-G01		BOOT, HORN SWITCH.....	1
13	19233-G1		PLATE, HORN SWITCH .....	1
14	14601-G7		RIVET, STAINLESS STEEL, 9/16.....	2
15	17618-G1		CLAMP, NYLON.....	2
16				
17	17867-G1		TURN SIGNAL (WITH MOUNTING HARDWARE) .....	1
18	21640-G1		FLASHER, TURN SIGNAL .....	1
19	00414-G6		SCREW, 1/4 - 20 X 3/4 LG.....	2
20	11027-G2		NUT, LOCK, 1/4 - 20 .....	2
21	74001-G01		LIGHTBAR .....	1
22	74002-G02		BRACKET, LIGHTBAR, DRIVER'S SIDE .....	1
23	74002-G01		BRACKET, LIGHTBAR, PASSENGER SIDE .....	1
24	00114-G6		SCREW, 1/4 - 14 X 3/4 LG.....	8
25				
26	21553-G1		FUEL GAUGE (COMPLETE WITH HARDWARE) .....	1
27				
28	25978-G74		WIRE.....	1
29				
30				