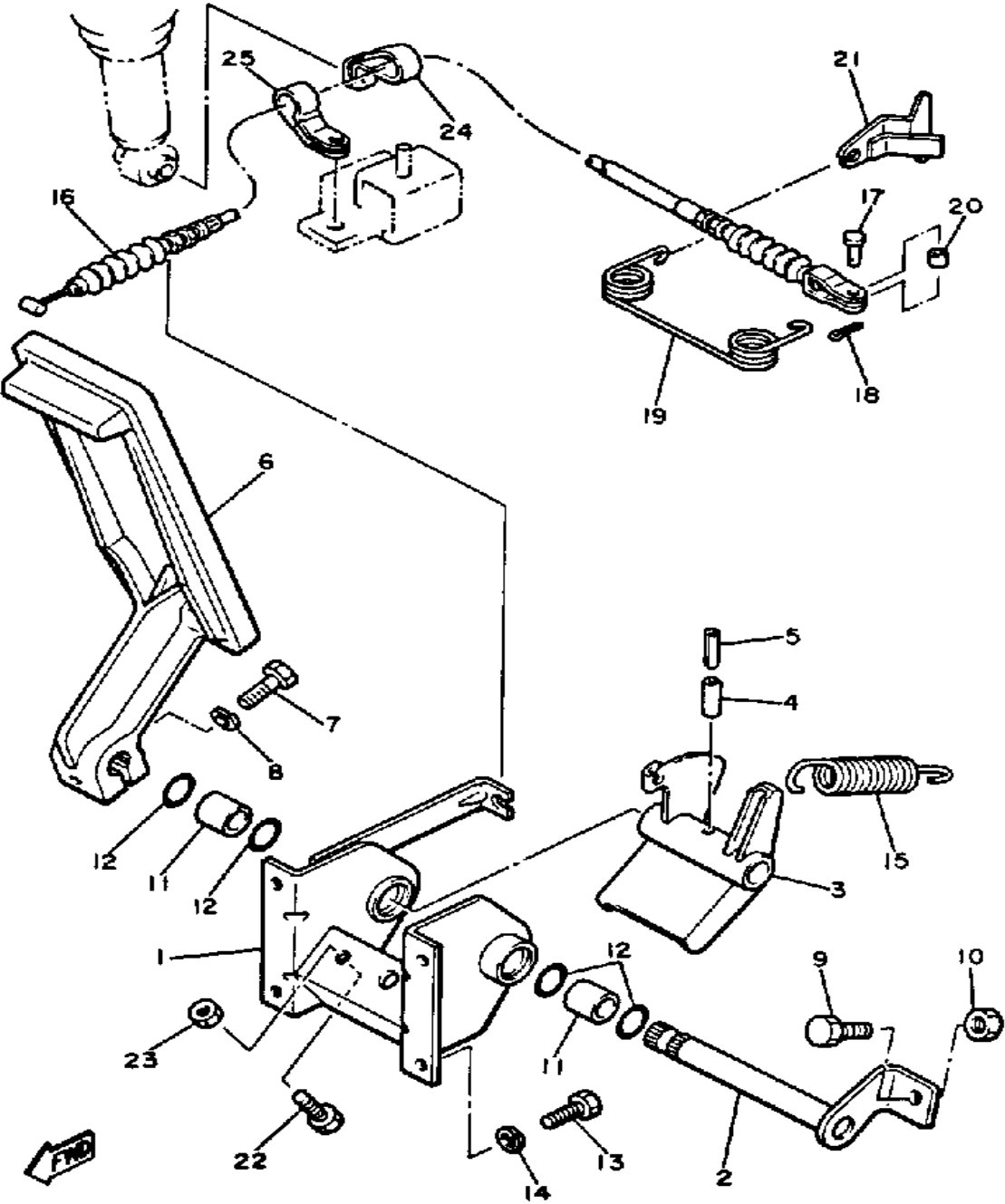


# ACCELERATOR



J38110-5170

Ref. No.	Part Number	Description	Qty	Remarks
1	J38-27874-00-00	BRACKET, ACCELERATOR PEDAL .....	1	
2	J17-27853-00-00	SHAFT, PEDAL 1 .....	1	
3	J38-27872-00-00	ARM, ACCELERATOR .....	1	
4	91609-60028-00	PIN, SPRING .....	1	
5	91609-35028-00	PIN, SPRING .....	1	
6	JF3-27871-00-00	PEDAL, ACCELERATOR .....	1	
7	97011-06025-00	BOLT (97001-06025) .....	1	
8	92995-06100-00	WASHER, SPRING .....	1	
9	90106-08040-00	BOLT, RD. HEX .....	1	
10	95303-08700-00	NUT .....	1	
11	90384-14080-00	BUSH, BIMETAL .....	2	
12	93210-14104-00	O-RING .....	4	
13	97313-06016-00	BOLT, HEXAGON .....	4	
14	92995-06100-00	WASHER, SPRING .....	4	
15	90506-26282-00	SPRING, TENSION .....	1	
16	J55-F6311-00-00	CABLE, THROTTLE 1 .....	1	
17	91702-05012-00	PIN .....	1	
18	90468-10050-00	CLIP .....	1	
19	90508-16460-00	SPRING, TORSION .....	1	
20	90560-05001-00	SPACER .....	1	
21	J38-27981-00-00	BRACKET, THROTTLE .....	1	
22	97011-06025-00	BOLT (97001-06025) .....	1	
23	95380-06700-00	NUT .....	1	
24	90461-08048-00	CLAMP .....	1	
25	90461-08106-00	CLAMP .....	1	

