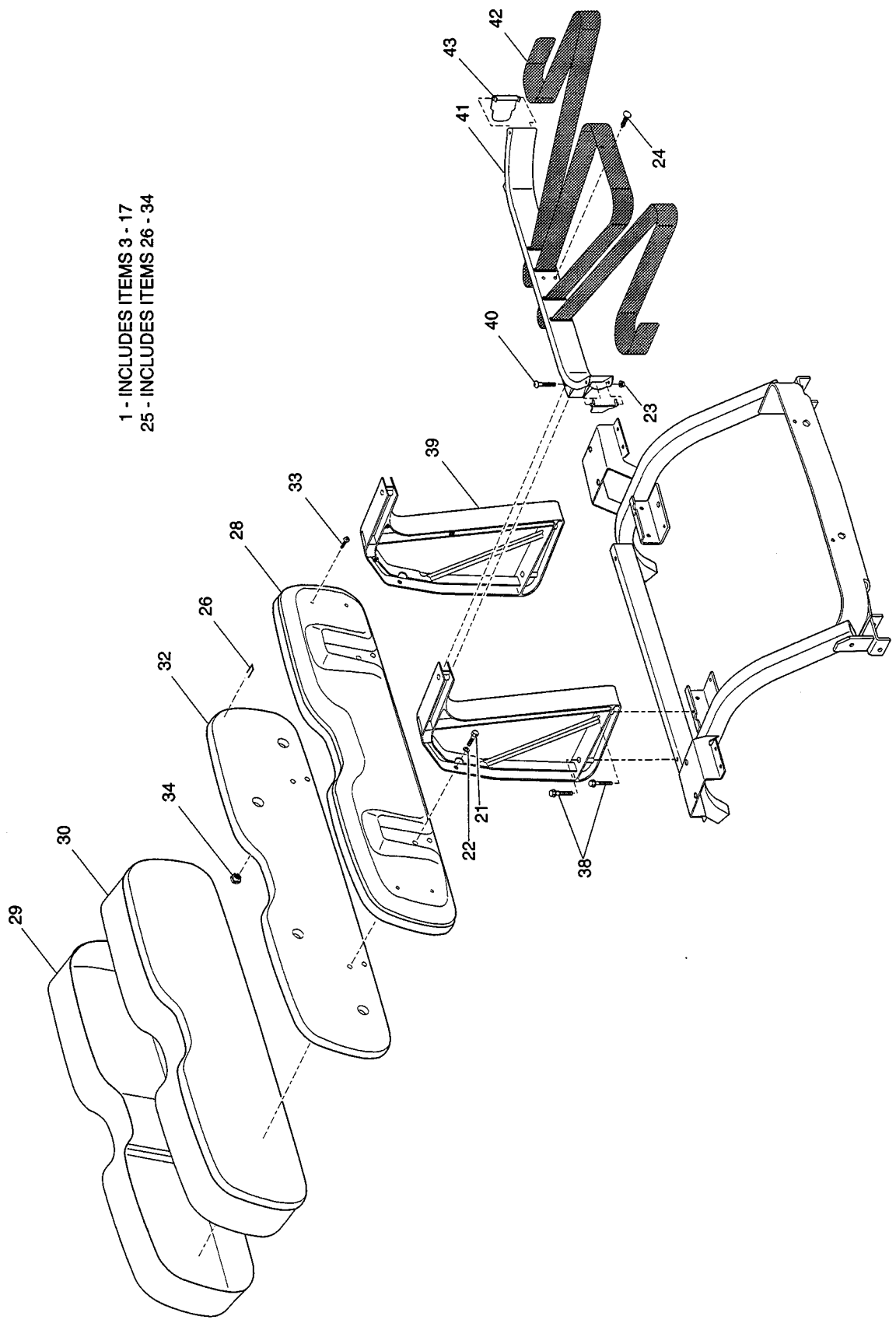


1 - INCLUDES ITEMS 3 - 17  
25 - INCLUDES ITEMS 26 - 34



THE USE OF NON UL PARTS WILL VOID ANY UL LISTING.

When ordering parts, please specify the model and serial number of the product.

\* Indicates a component that is not available as an individual part.

G\*\* Indicates consult Customer Service Department for additional information.

ITEM	PART NO.	1	2	3	4	5	DESCRIPTION	QTY.
31								
32	71755-G01						SEAT BACK, WOOD .....	1
33	71002-G01						SCREW, #8 X 1 LG. ....	4
34	*						NUT, TEE .....	4
35								
36								
37								
38	71802-G01						BOLT, 3/8 - 16 X 2 1/4 LG. ....	4
39	71803-G02						BRACKET, SEAT SUPPORT .....	2
40	71821-G01						BOLT, CARRIAGE, 1/4 - 20 X 1 1/2 LG. ....	2
41	71851-G01						BRACKET, BAG HOLDER .....	1
42	71853-G01						STRAP, BAG RETAINER .....	1
43	71856-G01						BAG RETAINER CLAMP .....	2
44								
45	00720-G08						SCREW, #12 - 14 X 1 LG. ....	4
46	00414-G8						BOLT, 1/4 - 20 X 1 LG. ....	8
47								
48	00559-G7						WASHER, 1/4.....	8
49	71701-G01						HIP RESTRAINT, PASSENGER SIDE.....	1
50	71702-G01						HIP RESTRAINT, DRIVER'S SIDE .....	1
51								
52	71615-G01						HINGE, SEAT (VEHICLES PRIOR TO SERIAL NO. 895713) .....	2
53	71610-G01						HINGE, SEAT (VEHICLES AFTER SERIAL NO. 895713).....	2
54								
55	74111-G01						SUPPORT, SEAT BACK .....	2
56	00414-G8						BOLT, 1/4 - 20 X 1 LG. ....	4
57	00565-G7						WASHER, LOCK, 1/4.....	4
58	00559-G7						WASHER, 1/4.....	4
59	70113-G01						BUMPER, RUBBER.....	4
60	11027-G1						NUT, LOCK, 5/16 - 18 .....	6