

**PARTS CATALOGUE**  
**MODEL YEAR 2004**  
**G23AZ (JU51)**

STARTING SERIAL NO.: JU5-000101 and following

OWNERS LIT-19626-01-17  
ASSEMBLY LIT-11666-01-17  
SERVICE LIT-11616-01-17

**CONTENTS**

ACCELERATOR	C1
AIR SHROUD FAN	A8
BODY	C11-12
BODY 2	D1
BODY FITTING	D2
BRAKE	B9-10
BRAKE 2	B11
BRAKE 3	B12
BUMPER	C10
CAMSHAFT VALVE	A7
CARBURETOR	A10
CARRIER	D3-4
CRANKCASE	A12
CRANKSHAFT PISTON	A6
CYLINDER HEAD	A5
ELECTRICAL 1	D9
ELECTRICAL 2	D10-11
ENGINE ASSEMBLY	A4
ENGINE BRACKET	B1
EXHAUST	A11
FRAME	B3
FRONT SUSPENSION WHEEL	B4-5
FUEL TANK	B8
GOVERNOR	C2
HEADLIGHT	D8
INTAKE	A9
PRIMARY SHEAVE	C3
REAR ARM SUSPENSION	B2
REAR AXLE MOUNT WHEEL	C8
SEAT	D5
SECONDARY SHEAVE	C4
SHIFTER CABLES	C9
STARTING MOTOR	D6-7
STEERING	B6-7
TRANSMISSION 1	C5-7

## FOREWORD

This Parts Catalogue is related to the parts for the model(s) on the cover page. When you are ordering replacement parts, please refer to this Parts Catalogue and quote both part numbers and part names correctly.

1. Modifications or additions which have been made after the issue of the Parts Catalogue will be announced in the Parts News.  
It is advisable that you make the necessary corrections to the Parts Catalogue according to the Parts News.

### 2. Abbreviations

The following abbreviations are used in this Parts Catalogue.

"UR" Use specified parts number.

"UN" Use as many as needed.

"AP" Alternate Parts

"LM" Locally Made (Parts need to be ordered locally)

"F#" Frame No. (Applicable machine No.)

"O/S" Over Size

### 3. The number of components for assembly

- Parts, which are to be supplied in an assembly, are listed with a dot (.) in front of the part name as shown below.
- The numeral appearing to the right of each component part indicates the quantity of parts for each assembly unit.

PART NO.	DESCRIPTION	Q'TY	REMARKS
2F5-83310-60	FRONT FLASHER LIGHT ASSY	2	
115-83311-60	.BULB (6V-18W)	1	

### 4. Applicable colours of graphics are represented in the "REMARKS" as shown below.

PART NO.	DESCRIPTION	Q'TY	REMARKS
2N4-24110-00-X5	FUEL TANK COMP.	2	MXR
3J1-24240-10	.GRAPHIC, FUEL TANK	1	FOR MXR

5. Note that the illustrations for reference in finding parts numbers are not to be used for assembling. When assembling, please use the applicable service manual.

6. The asterisk (\*) before a reference number indicates modified items after the first edition.

## CONTENTS

ACCELERATOR	C1
AIR SHROUD FAN	A8
BODY	C11-12
BODY 2	D1
BODY FITTING	D2
BRAKE	B9-10
BRAKE 2	B11
BRAKE 3	B12
BUMPER	C10
CAMSHAFT VALVE	A7
CARBURETOR	A10
CARRIER	D3-4
CRANKCASE	A12
CRANKSHAFT PISTON	A6
CYLINDER HEAD	A5
ELECTRICAL 1	D9
ELECTRICAL 2	D10-11
ENGINE ASSEMBLY	A4
ENGINE BRACKET	B1
EXHAUST	A11
FRAME	B3
FRONT SUSPENSION WHEEL	B4-5
FUEL TANK	B8
GOVERNOR	C2
HEADLIGHT	D8
INTAKE	A9
PRIMARY SHEAVE	C3
REAR ARM SUSPENSION	B2
REAR AXLE MOUNT WHEEL	C8
SEAT	D5
SECONDARY SHEAVE	C4
SHIFTER CABLES	C9
STARTING MOTOR	D6-7
STEERING	B6-7
TRANSMISSION 1	C5-7

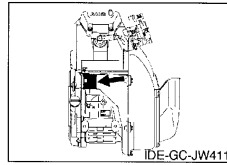
## CONTENTS

ACCELERATOR	C1
AIR SHROUD FAN	A8
BODY	C11-12
BODY 2	D1
BODY FITTING	D2
BRAKE	B9-10
BRAKE 2	B11
BRAKE 3	B12
BUMPER	C10
CAMSHAFT VALVE	A7
CARBURETOR	A10
CARRIER	D3-4
CRANKCASE	A12
CRANKSHAFT PISTON	A6
CYLINDER HEAD	A5
ELECTRICAL 1	D9
ELECTRICAL 2	D10-11
ENGINE ASSEMBLY	A4
ENGINE BRACKET	B1
EXHAUST	A11
FRAME	B3
FRONT SUSPENSION WHEEL	B4-5
FUEL TANK	B8
GOVERNOR	C2
HEADLIGHT	D8
INTAKE	A9
PRIMARY SHEAVE	C3
REAR ARM SUSPENSION	B2
REAR AXLE MOUNT WHEEL	C8
SEAT	D5
SECONDARY SHEAVE	C4
SHIFTER CABLES	C9
STARTING MOTOR	D6-7
STEERING	B6-7
TRANSMISSION 1	C5-7

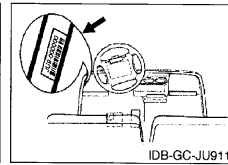
## FOREWORD

### 7. Applicable Serial No.

Engine Serial No.



Frame Serial No.



### 8. Applicable Colour Code (The (\*) mark shows Model colour.)

Abbreviation	Colour Name	Colour Code

### 9. Quantity Column Information

Column No.	Name Of Q'ty Column	Destination
1	JU51	U.S.A

### 10. Applicable Starting Serial No.

Frame Serial No.

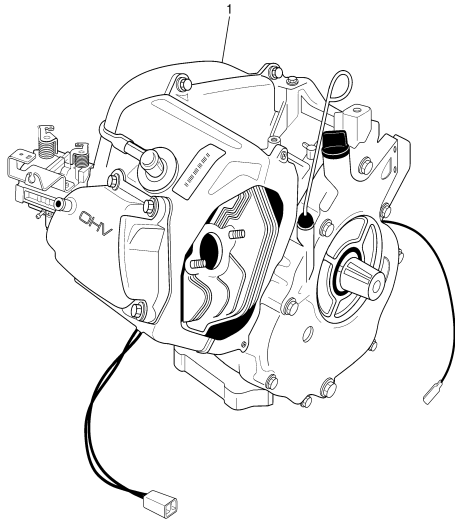
Serial No.	Name Of Q'ty Column	Model Code
JU5-000101	JU51	JU51

# ENGINE ASSEMBLY

Ref. No.	Part Number	Description	Qty	Remarks
1	JR6-19001-00-00	ENGINE ASSEMBLY .....	1	

## CONTENTS

ACCELERATOR	C1
AIR SHROUD FAN	A8
BODY	C11-12
BODY 2	D1
BODY FITTING	D2
BRAKE	B9-10
BRAKE 2	B11
BRAKE 3	B12
BUMPER	C10
CAMSHAFT VALVE	A7
CARBURETOR	A10
CARRIER	D3-4
CRANKCASE	A12
CRANKSHAFT PISTON	A6
CYLINDER HEAD	A5
ELECTRICAL 1	D9
ELECTRICAL 2	D10-11
ENGINE ASSEMBLY	A4
ENGINE BRACKET	B1
EXHAUST	A11
FRAME	B3
FRONT SUSPENSION WHEEL	B4-5
FUEL TANK	B8
GOVERNOR	C2
HEADLIGHT	D8
INTAKE	A9
PRIMARY SHEAVE	C3
REAR ARM SUSPENSION	B2
REAR AXLE MOUNT WHEEL	C8
SEAT	D5
SECONDARY SHEAVE	C4
SHIFTER CABLES	C9
STARTING MOTOR	D6-7
STEERING	B6-7
TRANSMISSION 1	C5-7



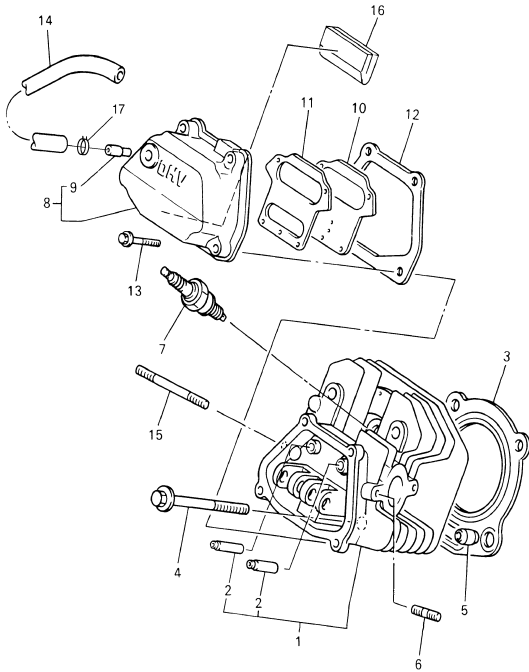
JW41110-C010

## CYLINDER HEAD

Ref. No.	Part Number	Description	Qty	Remarks
1	JT0-11111-00-00	HEAD, CYLINDER 1 .....	1	
2	JN6-11133-10-00	..GUIDE, VALVE 1 .....	2	
3	JT0-11181-00-00	GASKET, CYLINDER HEAD 1 . .	1	
4	95817-10070-00	BOLT, FLANGE .....	4	
5	99530-14016-00	PIN, DOWEL .....	2	
6	95627-08618-00	BOLT, STUD .....	2	
7	94702-00343-00	PLUG, SPARK (NGK BP4ES) ..	1	AP
	94702-00348-00	PLUG, SPARK (NGK-BPR2ES)	1	STD
8	JN6-11191-01-00	COVER, CYLINDER HEAD 1 ..	1	
9	JN6-11116-00-00	..JOINT, BREATHER .....	1	
10	JN6-11168-00-00	COVER, BREATHER .....	1	
11	JN6-11169-00-00	GASKET, BREATHER COVER . .	1	
12	JN6-11193-00-00	GASKET, HEAD COVER 1 ....	1	
13	95827-06030-00	BOLT, FLANGE .....	4	
14	JN6-E1166-00-00	PIPE, BREATHER 1 .....	1	
15	95607-08710-00	BOLT, STUD .....	2	
16	JR7-11163-00-00	ELEMENT .....	1	
17	90467-13847-00	CLIP .....	2	

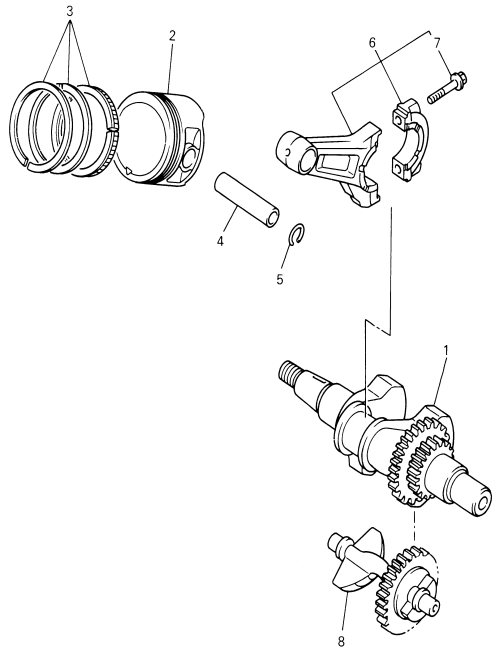
## CONTENTS

ACCELERATOR	C1
AIR SHROUD FAN	A8
BODY	C11-12
BODY 2	D1
BODY FITTING	D2
BRAKE	B9-10
BRAKE 2	B11
BRAKE 3	B12
BUMPER	C10
CAMSHAFT VALVE	A7
CARBURETOR	A10
CARRIER	D3-4
CRANKCASE	A12
CRANKSHAFT PISTON	A6
CYLINDER HEAD	A5
ELECTRICAL 1	D9
ELECTRICAL 2	D10-11
ENGINE ASSEMBLY	A4
ENGINE BRACKET	A1
EXHAUST	B1
FRAME	B3
FRONT SUSPENSION WHEEL	B4-5
FUEL TANK	B8
GOVERNOR	C2
HEADLIGHT	D8
INTAKE	A9
PRIMARY SHEAVE	C3
REAR ARM SUSPENSION	B2
REAR AXLE MOUNT WHEEL	C8
SEAT	D5
SECONDARY SHEAVE	C4
SHIFTER CABLES	C9
STARTING MOTOR	D6-7
STEERING	B6-7
TRANSMISSION 1	C5-7



JT01010-0011

A5



## CRANKSHAFT PISTON

Ref. No.	Part Number	Description	Qty	Remarks
1	JN6-11400-00-00	CRANKSHAFT ASSY .....	1	
2	JR7-11631-00-A0	PISTON (STD) .....	1	
	JR7-11635-00-00	PISTON (0.25MM O/S) .....	1	AP
	JR7-11636-00-00	PISTON (0.50MM O/S) .....	1	AP
3	JR7-11610-00-00	PISTON RING SET (STD) .....	1	
	JR7-11610-10-00	PISTON RING SET (0.25MM O/S) .....	1	AP
	JR7-11610-20-00	PISTON RING SET (0.50MM O/S) .....	1	AP
4	583-11633-00-00	PIN, PISTON .....	1	
5	93450-21053-00	CIRCLIP .....	2	
6	JN6-11650-00-00	CONNECTING ROD ASSY ....	1	
7	JN6-11654-00-00	. .BOLT, CONNECTING ROD ..	2	
8	JN6-11454-00-00	WEIGHT 1 .....	1	

## CONTENTS

ACCELERATOR	C1
AIR SHROUD FAN	A8
BODY	C11-12
BODY 2	D1
BODY FITTING	D2
BRAKE	B9-10
BRAKE 2	B11
BRAKE 3	B12
BUMPER	C10
CAMSHAFT VALVE	A7
CARBURETOR	A10
CARRIER	D3-4
CRANKCASE	A12
CRANKSHAFT PISTON	A6
CYLINDER HEAD	A5
ELECTRICAL 1	D9
ELECTRICAL 2	D10-11
ENGINE ASSEMBLY	A4
ENGINE BRACKET	B1
EXHAUST	A11
FRAME	B3
FRONT SUSPENSION WHEEL	B4-5
FUEL TANK	B8
GOVERNOR	C2
HEADLIGHT	D8
INTAKE	A9
PRIMARY SHEAVE	C3
REAR ARM SUSPENSION	B2
REAR AXLE MOUNT WHEEL	C8
SEAT	D5
SECONDARY SHEAVE	C4
SHIFTER CABLES	C9
STARTING MOTOR	D6-7
STEERING	B6-7
TRANSMISSION 1	C5-7



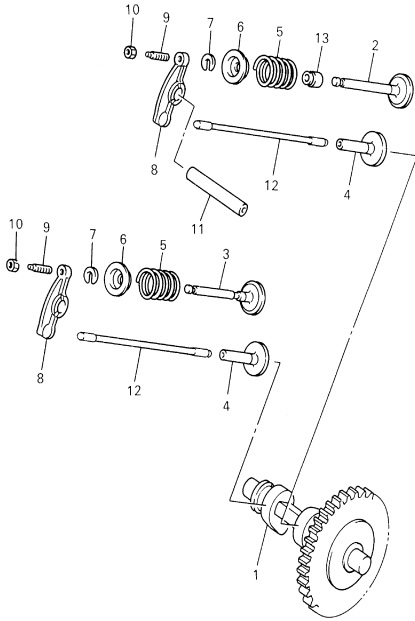
JN7010-6020

## CAMSHAFT VALVE

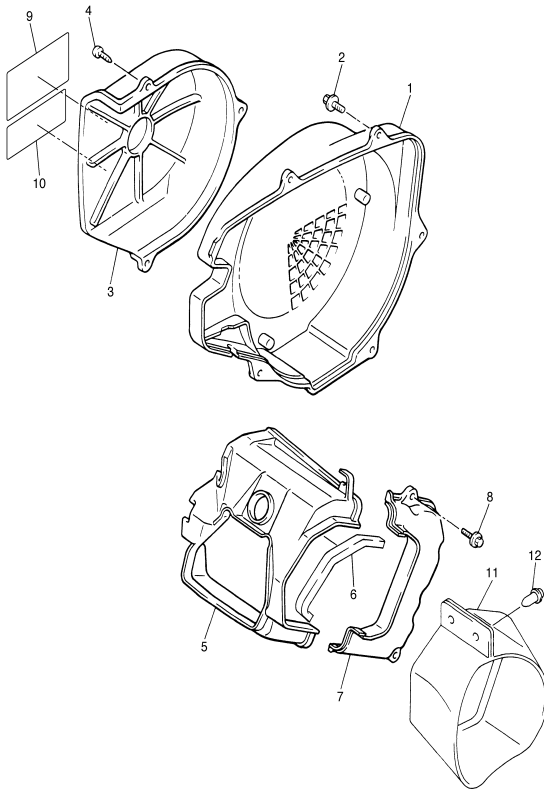
Ref. No.	Part Number	Description	Qty	Remarks
1	JR7-12170-00-00	CAMSHAFT ASSY 1	1	
2	JN6-12111-01-00	VALVE, INTAKE	1	
3	7RH-12121-00-00	VALVE, EXHAUST	1	
4	JN6-12153-00-00	LIFTER, VALVE	2	
5	90501-264A9-00	SPRING, COMPRESSION	2	
6	J38-12117-01-00	RETAINER, VALVE SPRING	2	
7	J38-12118-00-00	COTTER, VALVE	2	
8	JN6-12151-00-00	ARM, VALVE ROCKER	2	
9	22F-12159-00-00	SCREW, VALVE ADJUSTING	2	
10	90170-05302-00	NUT	2	
11	J38-12156-00-00	SHAFT, ROCKER 2	1	
12	JR7-12154-01-00	ROD, VALVE PUSH	2	
13	4G0-12119-00-00	SEAL, VALVE STEM	1	

## CONTENTS

ACCELERATOR	C1
AIR SHROUD FAN	A8
BODY	C11-12
BODY 2	D1
BODY FITTING	D2
BRAKE	B9-10
BRAKE 2	B11
BRAKE 3	B12
BUMPER	C10
CAMSHAFT VALVE	A7
CARBURETOR	A10
CARRIER	D3-4
CRANKCASE	A12
CRANKSHAFT PISTON	A6
CYLINDER HEAD	A5
ELECTRICAL 1	D9
ELECTRICAL 2	D10-11
ENGINE ASSEMBLY	A4
ENGINE BRACKET	A1
EXHAUST	B1
FRAME	B3
FRONT SUSPENSION WHEEL	B4-5
FUEL TANK	B8
GOVERNOR	C2
HEADLIGHT	D8
INTAKE	A9
PRIMARY SHEAVE	C3
REAR ARM SUSPENSION	B2
REAR AXLE MOUNT WHEEL	C8
SEAT	D5
SECONDARY SHEAVE	C4
SHIFTER CABLES	C9
STARTING MOTOR	D6-7
STEERING	B6-7
TRANSMISSION 1	C5-7



JT01010-0030



## AIR SHROUD FAN

Ref. No.	Part Number	Description	Qty	Remarks
1	JN6-12621-00-00	CASE, FAN	1	
2	95807-06020-00	BOLT, FLANGE	5	
3	JN6-12616-00-00	COVER, FAN CASE	1	
4	97707-60520-00	SCREW, TAPPING	3	
5	JN6-12651-00-00	AIR SHROUD, CYLINDER 1	1	
6	JR7-12658-00-00	DAMPER, AIR SHROUD 1	1	
7	JN6-12652-00-00	AIR SHROUD, CYLINDER 2	1	
8	95807-06020-00	BOLT, FLANGE	2	
9	JR6-2179R-01-00	PLATE, EPA 2 (CALIFORNIA)	1	
10	7UH-2111F-00-00	LABEL, EMISSION	1	
11	JN6-E2691-00-00	DUCT, 1	1	
12	90269-08813-00	RIVET	2	

## CONTENTS

ACCELERATOR	C1
AIR SHROUD FAN	A8
BODY	C11-12
BODY 2	D1
BODY FITTING	D2
BRAKE	B9-10
BRAKE 2	B11
BRAKE 3	B12
BUMPER	C10
CAMSHAFT VALVE	A7
CARBURETOR	A10
CARRIER	D3-4
CRANKCASE	A12
CRANKSHAFT PISTON	A6
CYLINDER HEAD	A5
ELECTRICAL 1	D9
ELECTRICAL 2	D10-11
ENGINE ASSEMBLY	A4
ENGINE BRACKET	B1
EXHAUST	A11
FRAME	B3
FRONT SUSPENSION WHEEL	B4-5
FUEL TANK	B8
GOVERNOR	C2
HEADLIGHT	D8
INTAKE	A9
PRIMARY SHEAVE	C3
REAR ARM SUSPENSION	B2
REAR AXLE MOUNT WHEEL	C8
SEAT	D5
SECONDARY SHEAVE	C4
SHIFTER CABLES	C9
STARTING MOTOR	D6-7
STEERING	B6-7
TRANSMISSION 1	C5-7



JW41110-C050

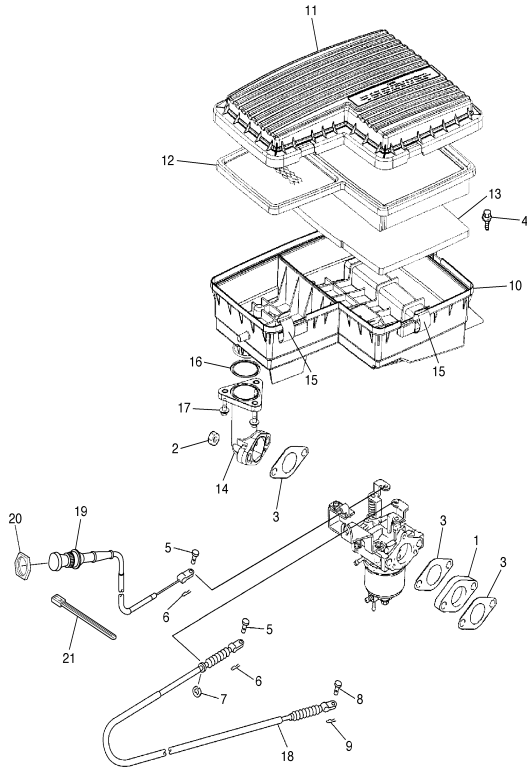


# INTAKE

Ref. No.	Part Number	Description	Qty	Remarks
1	JN6-13595-00-00	JOINT .....	1	
2	95707-08500-00	.NUT, FLANGE .....	2	
3	JN6-13567-00-00	GASKET .....	3	
4	90119-06838-00	BOLT, WITH WASHER .....	2	
5	91701-05010-00	PIN, CLEVIS .....	2	
6	90468-10049-00	CLIP .....	2	
7	99001-07600-00	CIRCLIP .....	1	
8	91701-05010-00	PIN, CLEVIS .....	1	
9	90468-10049-00	CLIP .....	1	
10	JN6-E4411-02-00	CASE, AIR CLEANER 1 .....	1	
11	JN6-E4412-01-00	CAP, CLEANER CASE 1 .....	1	
12	JN6-E4450-01-00	ELEMENT ASSY, AIR CLEANER	1	
13	JN6-E445E-00-00	FILTER 1 .....	1	
14	JN6-E3586-01-00	JOINT, CARBURETOR 1 .....	1	
15	JN6-E4424-00-00	CLIP, CAP FITTING .....	5	
16	93210-398D6-00	O-RING .....	1	
17	90105-06862-00	BOLT, FLANGE .....	3	
18	JN6-F6312-01-00	CABLE, THROTTLE 2 .....	1	
19	J55-F6331-11-00	CABLE, STARTER 1 .....	1	
20	JN6-F6333-10-00	NUT .....	1	
21	90464-31827-00	CLAMP .....	1	

# CONTENTS

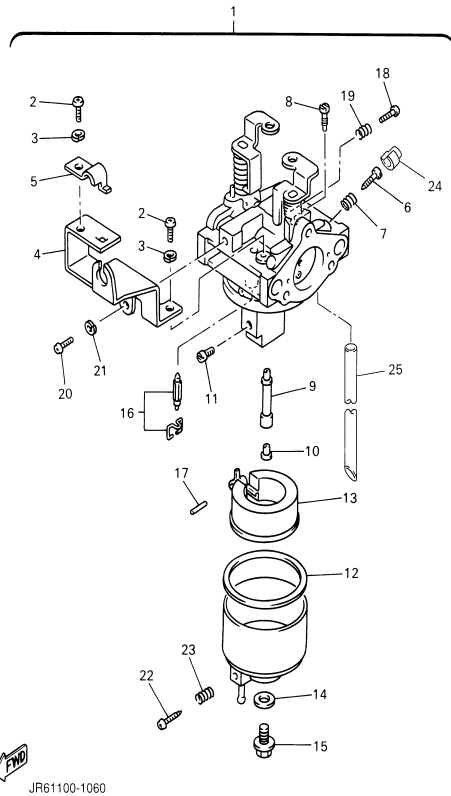
ACCELERATOR	C1
AIR SHROUD FAN	A8
BODY	C11-12
BODY 2	D1
BODY FITTING	D2
BRAKE	B9-10
BRAKE 2	B11
BRAKE 3	B12
BUMPER	C10
CAMSHAFT VALVE	A7
CARBURETOR	A10
CARRIER	D3-4
CRANKCASE	A12
CRANKSHAFT PISTON	A6
CYLINDER HEAD	A5
ELECTRICAL 1	D9
ELECTRICAL 2	D10-11
ENGINE ASSEMBLY	A4
ENGINE BRACKET	B1
EXHAUST	A11
FRAME	B3
FRONT SUSPENSION WHEEL	B4-5
FUEL TANK	B8
GOVERNOR	C2
HEADLIGHT	D8
INTAKE	A9
PRIMARY SHEAVE	C3
REAR ARM SUSPENSION	B2
REAR AXLE MOUNT WHEEL	C8
SEAT	D5
SECONDARY SHEAVE	C4
SHIFTER CABLES	C9
STARTING MOTOR	D6-7
STEERING	B6-7
TRANSMISSION 1	C5-7



JW51110-C060

# CARBURETOR

## CONTENTS



JR61100-1060

Ref. No.	Part Number	Description	Qty	Remarks
1	JR6-14101-00-00	CARBURETOR ASSY 1	1	
2	98507-05008-00	.SCREW, PAN HEAD	2	
3	92990-05100-00	.WASHER, SPRING	2	
4	JN6-14291-00-00	.BRACKET 1	1	
5	J10-14227-00-00	.PLATE	1	
6	7NJ-14211-00-00	.SCREW, PILOT ADJUSTING	1	
7	73A-14212-10-00	.SPRING	1	
8	732-14142-65-A0	.JET, PILOT (# 65)	1	
9	JN6-1495H-3B-00	.NOZZLE, MAIN	1	
10	73A-1414G-00-00	.PIPE, MAIN BLEED	1	
11	3G2-1423A-67-00	.JET, MAIN (# 82.5)	1	AP
	3G2-1423A-68-A0	.JET, MAIN (# 87.5)	1	STD
	3G2-1423E-33-A0	.JET, MAIN (#83.8)	1	AP
12	796-14184-00-00	.GASKET, FLOAT CHAMBER	1	
13	JN6-14185-00-00	.FLOAT	1	
14	127-14198-00-00	.GASKET	1	
15	7R1-14162-00-00	.BOLT, HOLDING	1	
16	JN5-14150-00-00	.NEEDLE ASSY	1	
17	22F-14186-00-00	.PIN, FLOAT	1	
18	1WG-14922-00-00	.SCREW, THROTTLE	1	
19	73A-14212-10-00	.SPRING	1	
20	98507-04010-00	.SCREW, PAN HEAD	1	
21	92902-04100-00	.WASHER, SPRING	1	
22	7E1-14191-00-00	.PLUG, DRAIN	1	
23	73A-14212-00-00	.SPRING	1	
24	7LV-14118-00-00	.CAP	1	
25	1KT-14197-01-00	.PIPE	1	

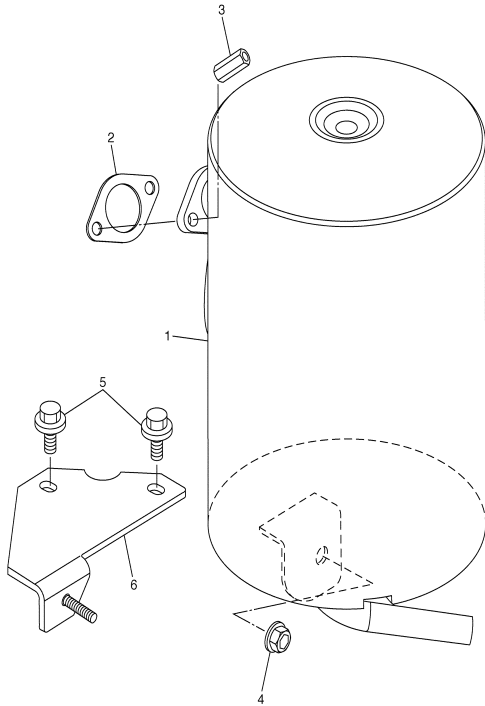
ACCELERATOR	C1
AIR SHROUD FAN	A8
BODY	C11-12
BODY 2	D1
BODY FITTING	D2
BRAKE	B9-10
BRAKE 2	B11
BRAKE 3	B12
BUMPER	C10
CAMSHAFT VALVE	A7
CARBURETOR	A10
CARRIER	D3-4
CRANKCASE	A12
CRANKSHAFT PISTON	A6
CYLINDER HEAD	A5
ELECTRICAL 1	D9
ELECTRICAL 2	D10-11
ENGINE ASSEMBLY	A4
ENGINE BRACKET	B1
EXHAUST	A11
FRAME	B3
FRONT SUSPENSION WHEEL	B4-5
FUEL TANK	B8
GOVERNOR	C2
HEADLIGHT	D8
INTAKE	A9
PRIMARY SHEAVE	C3
REAR ARM SUSPENSION	B2
REAR AXLE MOUNT WHEEL	C8
SEAT	D5
SECONDARY SHEAVE	C4
SHIFTER CABLES	C9
STARTING MOTOR	D6-7
STEERING	B6-7
TRANSMISSION 1	C5-7

# EXHAUST

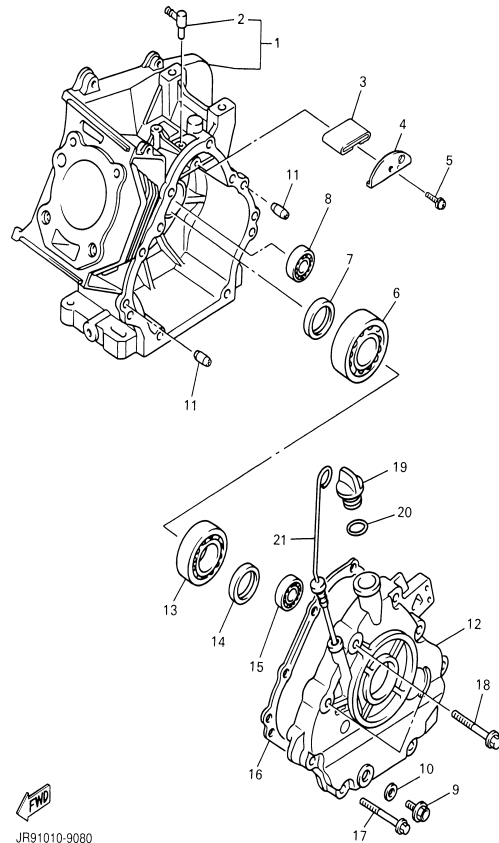
Ref. No.	Part Number	Description	Qty	Remarks
1	JU0-E4710-10-00	MUFFLER ASSY 1 .....	1	
2	7KY-14613-01-00	GASKET, EXHAUST 1 .....	1	
3	90179-08879-00	NUT .....	2	
4	90185-08841-00	NUT, SELF-LOCKING .....	1	
5	90119-08825-00	BOLT, WITH WASHER .....	2	
6	JN6-F1435-10-00	BRACKET, MUFFLER 1 .....	1	

## CONTENTS

ACCELERATOR	C1
AIR SHROUD FAN	A8
BODY	C11-12
BODY 2	D1
BODY FITTING	D2
BRAKE	B9-10
BRAKE 2	B11
BRAKE 3	B12
BUMPER	C10
CAMSHAFT VALVE	A7
CARBURETOR	A10
CARRIER	D3-4
CRANKCASE	A12
CRANKSHAFT PISTON	A6
CYLINDER HEAD	A5
ELECTRICAL 1	D9
ELECTRICAL 2	D10-11
ENGINE ASSEMBLY	A4
ENGINE BRACKET	B1
EXHAUST	A11
FRAME	B3
FRONT SUSPENSION WHEEL	B4-5
FUEL TANK	B8
GOVERNOR	C2
HEADLIGHT	D8
INTAKE	A9
PRIMARY SHEAVE	C3
REAR ARM SUSPENSION	B2
REAR AXLE MOUNT WHEEL	C8
SEAT	D5
SECONDARY SHEAVE	C4
SHIFTER CABLES	C9
STARTING MOTOR	D6-7
STEERING	B6-7
TRANSMISSION 1	C5-7



JT71010-B070



JR91010-9080

## CRANKCASE

Ref. No.	Part Number	Description	Qty	Remarks
1	JR7-15100-00-00	CRANKCASE ASSY	1	
2	JN6-15155-00-00	. NOZZLE 3	1	
3	JR7-15407-00-00	ELEMENT 1	1	
4	JR7-15123-00-00	PLATE, BUFFLE 1	1	
5	90159-06107-00	SCREW, WITH WASHER	1	
6	93306-30709-00	BEARING	1	
7	93102-35014-00	OIL SEAL	1	
8	93306-20201-00	BEARING (B6202)	1	
9	90340-12097-00	PLUG, STRAIGHT SCREW	1	
10	812-11198-00-00	GASKET	1	
11	99530-08016-00	PIN, DOWEL	2	
12	JN6-15411-00-00	COVER, CRANKCASE 1	1	
13	93306-20714-00	BEARING	1	
14	93102-35014-00	OIL SEAL	1	
15	93306-20201-00	BEARING (B6202)	1	
16	JN6-15451-02-00	GASKET, CRANKCASE COVER 1	1	
17	95817-08045-00	BOLT, FLANGE	6	
18	95817-10050-00	BOLT, FLANGE	2	
19	796-15363-01-00	PLUG, OIL	1	
20	93210-22344-00	O-RING	1	
21	J38-15361-00-00	GAUGE, LEVEL	1	

## CONTENTS

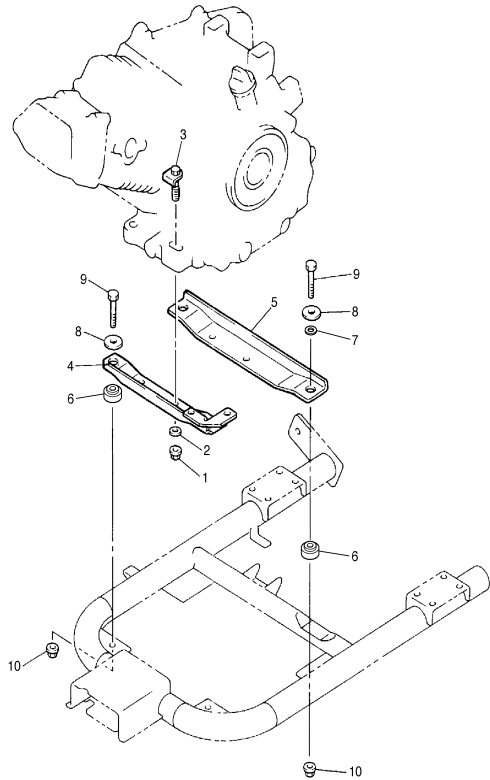
ACCELERATOR	C1
AIR SHROUD FAN	A8
BODY	C11-12
BODY 2	D1
BODY FITTING	D2
BRAKE	B9-10
BRAKE 2	B11
BRAKE 3	B12
BUMPER	C10
CAMSHAFT VALVE	A7
CARBURETOR	A10
CARRIER	D3-4
CRANKCASE	A12
CRANKSHAFT PISTON	A6
CYLINDER HEAD	A5
ELECTRICAL 1	D9
ELECTRICAL 2	D10-11
ENGINE ASSEMBLY	A4
ENGINE BRACKET	B1
EXHAUST	A11
FRAME	B3
FRONT SUSPENSION WHEEL	B4-5
FUEL TANK	B8
GOVERNOR	C2
HEADLIGHT	D8
INTAKE	A9
PRIMARY SHEAVE	C3
REAR ARM SUSPENSION	B2
REAR AXLE MOUNT WHEEL	C8
SEAT	D5
SECONDARY SHEAVE	C4
SHIFTER CABLES	C9
STARTING MOTOR	D6-7
STEERING	B6-7
TRANSMISSION 1	C5-7

# ENGINE BRACKET

Ref. No.	Part Number	Description	Qty	Remarks
1	9560P-10200-00	NUT, FLANGE	4	
2	9290P-10200-00	WASHER	4	
3	JN6-F1481-00-00	BOLT, ENGINE MOUNTING 1	4	
4	JN6-F1411-00-00	BRACKET, ENGINE 1	1	
5	JN6-F1419-02-00	BRACKET, ENGINE 2	1	
6	JR3-F1459-00-00	SPACER	4	
7	9299R-08200-00	WASHER	2	
8	90201-088K6-00	WASHER, PLATE	4	
9	90101-08880-00	BOLT	4	
10	90179-08885-00	NUT	4	

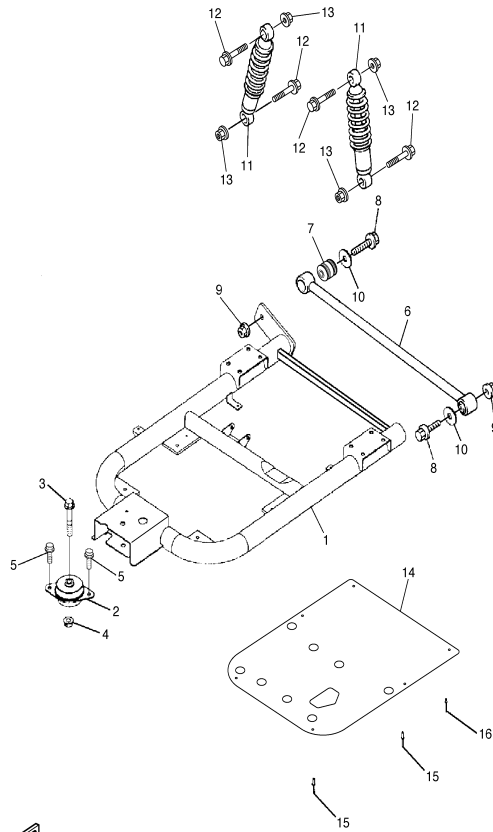
## CONTENTS

ACCELERATOR	C1
AIR SHROUD FAN	A8
BODY	C11-12
BODY 2	D1
BODY FITTING	D2
BRAKE	B9-10
BRAKE 2	B11
BRAKE 3	B12
BUMPER	C10
CAMSHAFT VALVE	A7
CARBURETOR	A10
CARRIER	D3-4
CRANKCASE	A12
CRANKSHAFT PISTON	A6
CYLINDER HEAD	A5
ELECTRICAL 1	D9
ELECTRICAL 2	D10-11
ENGINE ASSEMBLY	A4
ENGINE BRACKET	B1
EXHAUST	A11
FRAME	B3
FRONT SUSPENSION WHEEL	B4-5
FUEL TANK	B8
GOVERNOR	C2
HEADLIGHT	D8
INTAKE	A9
PRIMARY SHEAVE	C3
REAR ARM SUSPENSION	B2
REAR AXLE MOUNT WHEEL	C8
SEAT	D5
SECONDARY SHEAVE	C4
SHIFTER CABLES	C9
STARTING MOTOR	D6-7
STEERING	B6-7
TRANSMISSION 1	C5-7



JW51110-C100

## REAR ARM SUSPENSION



Ref. No.	Part Number	Description	Qty	Remarks
1	JN6-F2110-02-00	REAR ARM COMP. ....	1	
2	JN6-F2123-10-00	BUSH 1 .....	1	
3	90105-13864-00	BOLT, FLANGE .....	1	
4	90179-13878-00	NUT .....	1	
5	9751P-10620-00	BOLT, WITH WASHER .....	2	
6	JN6-F217G-00-00	ROD, CONNECTING 2 .....	1	
7	JN6-F2124-10-00	BUSH 2 .....	2	
8	9581P-12065-00	BOLT, FLANGE .....	2	
9	9560P-12200-00	NUT, FLANGE .....	2	
10	90201-128S4-00	WASHER, PLATE .....	2	
11	JR6-F2210-00-00	SHOCK ABSORBER ASSY, REAR .....	2	
12	9581P-12065-00	BOLT, FLANGE .....	4	
13	90185-12072-00	NUT, SELF-LOCKING .....	4	
14	JN6-F2128-01-00	COVER, THRUST 1 .....	1	
15	90267-48850-00	RIVET, BLIND .....	4	
16	90267-40851-00	RIVET, BLIND .....	2	

### CONTENTS

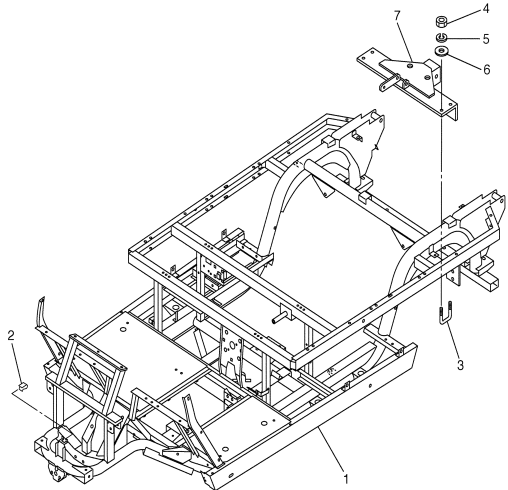
ACCELERATOR	C1
AIR SHROUD FAN	A8
BODY	C11-12
BODY 2	D1
BODY FITTING	D2
BRAKE	B9-10
BRAKE 2	B11
BRAKE 3	B12
BUMPER	C10
CAMSHAFT VALVE	A7
CARBURETOR	A10
CARRIER	D3-4
CRANKCASE	A12
CRANKSHAFT PISTON	A6
CYLINDER HEAD	A5
ELECTRICAL 1	D9
ELECTRICAL 2	D10-11
ENGINE ASSEMBLY	A4
ENGINE BRACKET	B1
EXHAUST	A11
FRAME	B3
FRONT SUSPENSION WHEEL	B4-5
FUEL TANK	B8
GOVERNOR	C2
HEADLIGHT	D8
INTAKE	A9
PRIMARY SHEAVE	C3
REAR ARM SUSPENSION	B2
REAR AXLE MOUNT WHEEL	C8
SEAT	D5
SECONDARY SHEAVE	C4
SHIFTER CABLES	C9
STARTING MOTOR	D6-7
STEERING	B6-7
TRANSMISSION 1	C5-7



JU51110-C110

# FRAME

Ref. No.	Part Number	Description	Qty	Remarks
1	JU5-F2501-01-00	FRAME COMP. ....	1	
2	JU0-F2567-00-00	SUPPORT 1 ....	1	
3	90109-10862-00	BOLT ....	2	
4	90170-10847-00	NUT ....	4	
5	9290P-10100-00	WASHER ....	4	
6	9290P-10200-00	WASHER ....	4	
7	JW5-F722B-00-00	BAR, TOW ....	1	

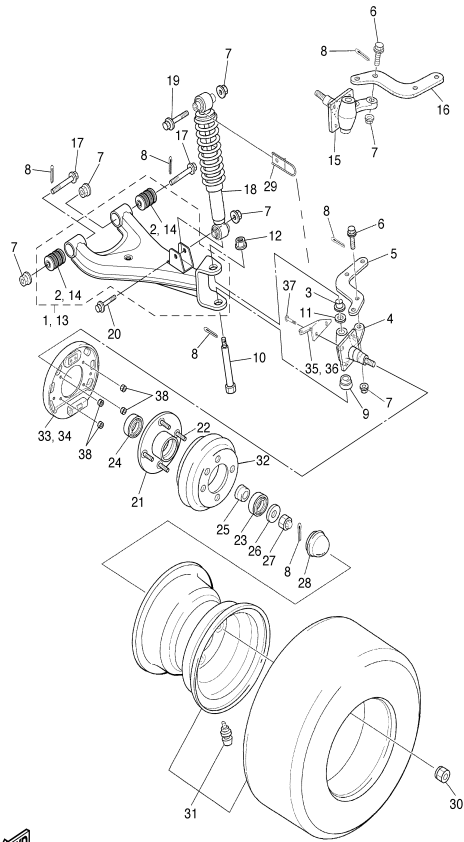


## CONTENTS

ACCELERATOR	C1
AIR SHROUD FAN	A8
BODY	C11-12
BODY 2	D1
BODY FITTING	D2
BRAKE	B9-10
BRAKE 2	B11
BRAKE 3	B12
BUMPER	C10
CAMSHAFT VALVE	A7
CARBURETOR	A10
CARRIER	D3-4
CRANKCASE	A12
CRANKSHAFT PISTON	A6
CYLINDER HEAD	A5
ELECTRICAL 1	D9
ELECTRICAL 2	D10-11
ENGINE ASSEMBLY	A4
ENGINE BRACKET	B1
EXHAUST	A11
FRAME	B3
FRONT SUSPENSION WHEEL	B4-5
FUEL TANK	B8
GOVERNOR	C2
HEADLIGHT	D8
INTAKE	A9
PRIMARY SHEAVE	C3
REAR ARM SUSPENSION	B2
REAR AXLE MOUNT WHEEL	C8
SEAT	D5
SECONDARY SHEAVE	C4
SHIFTER CABLES	C9
STARTING MOTOR	D6-7
STEERING	B6-7
TRANSMISSION 1	C5-7



JU51110-C120



## FRONT SUSPENSION WHEEL

Ref. No.	Part Number	Description	Qty	Remarks
1	JU5-F3570-10-00	FRONT LOWER ARM COMP. (LEFT)	1	
2	JN6-F3526-00-00	..BUSH	2	
3	90384-15825-00	BUSH, BIMETAL FORMED	2	
4	JR6-F3501-10-00	STEERING KNUCKLE ASSY (LEFT)	1	
5	JN3-F3512-00-00	ARM, KNUCKLE 1	1	
6	90105-10895-00	BOLT, FLANGE	4	
7	95607-10200-00	NUT, U FLANGE	12	
8	91401-25020-00	PIN, COTTER	12	
9	J38-23527-00-00	SEAL, DUST 1	2	
10	JR6-F3516-00-00	KING PIN, STEERING KNUCKLE	2	
11	90201-158S6-00	WASHER, PLATE	2	
12	9560P-10200-00	NUT, FLANGE	2	
13	JU5-F3580-10-00	FRONT LOWER ARM COMP. (RIGHT)	1	
14	JN6-F3526-00-00	..BUSH	2	
15	JR6-F3502-10-00	STEERING KNUCKLE ASSY (RIGHT)	1	
16	JN3-F3512-00-00	ARM, KNUCKLE 1	1	
17	90105-10894-00	BOLT, FLANGE	4	
18	JR6-F3350-00-00	SHOCK ABSORBER ASSY	2	
19	95807-10065-00	BOLT, FLANGE	2	
20	95807-10055-00	BOLT, FLANGE	2	
21	JR6-F5110-00-00	HUB ASSY, FRONT	2	
22	90114-12803-00	BOLT, SERRATION	8	
23	93306-204X0-00	BEARING	2	
24	93306-005Y3-00	BEARING	2	
25	90387-241M7-00	COLLAR	2	
26	90209-32832-00	WASHER	2	

## CONTENTS

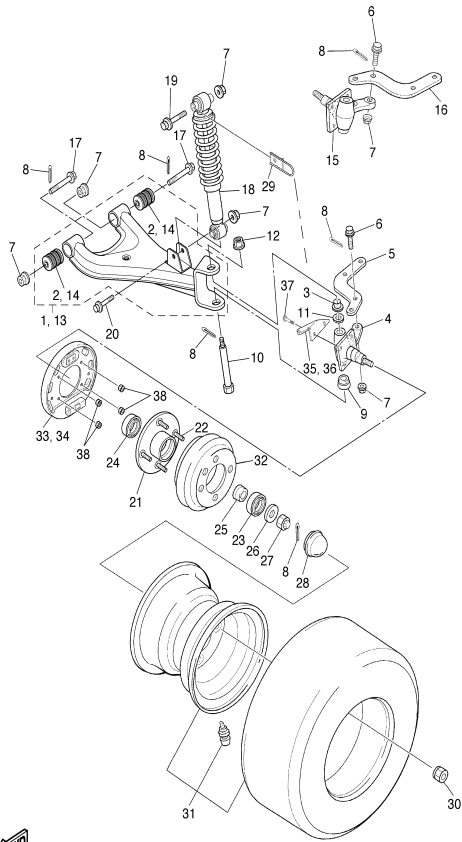
ACCELERATOR	C1
AIR SHROUD FAN	A8
BODY	C11-12
BODY 2	D1
BODY FITTING	D2
BRAKE	B9-10
BRAKE 2	B11
BRAKE 3	B12
BUMPER	C10
CAMSHAFT VALVE	A7
CARBURETOR	A10
CARRIER	D3-4
CRANKCASE	A12
CRANKSHAFT PISTON	A6
CYLINDER HEAD	A5
D9	
ELECTRICAL 2	D10-11
ELECTRICAL 1	A4
ENGINE ASSEMBLY	A4
ENGINE BRACKET	B1
EXHAUST	A11
FRAME	B3
FRONT SUSPENSION WHEEL	B4-5
FUEL TANK	B8
GOVERNOR	C2
HEADLIGHT	D8
INTAKE	A9
PRIMARY SHEAVE	C3
REAR ARM SUSPENSION	B2
REAR AXLE MOUNT WHEEL	C8
SEAT	D5
SECONDARY SHEAVE	C4
SHIFTER CABLES	C9
STARTING MOTOR	D6-7
STEERING	B6-7
TRANSMISSION 1	C5-7

CONTINUED ON NEXT FRAME ►





## FRONT SUSPENSION WHEEL



Ref. No.	Part Number	Description	Qty	Remarks
27	95607-14100-00	NUT, U .....	2	
28	JN6-F5118-00-00	COVER, HUB DUST .....	2	
29	JR6-F1339-00-00	GUIDE, WIRE .....	2	
30	90179-12262-00	NUT .....	8	
31	JN6-F5100-20-00	WHEEL ASSY (18X8.50-8 4PLY)	2	
32	J55-G6521-10-00	DRUM .....	2	
33	JN6-F7290-03-00	BACKING PLATE ASSY 2 ....	1	SEE BRAKE 2 (L.H)
34	JN6-F7280-03-00	BACKING PLATE ASSY 1 ....	1	SEE BRAKE 3 (R.H)
35	JR6-F7263-00-00	BRACKET 1 .....	1	
36	JR6-F7264-00-00	BRACKET 2 .....	1	
37	9502P-08025-00	BOLT, FLANGE .....	8	
38	9560P-08200-00	NUT .....	8	

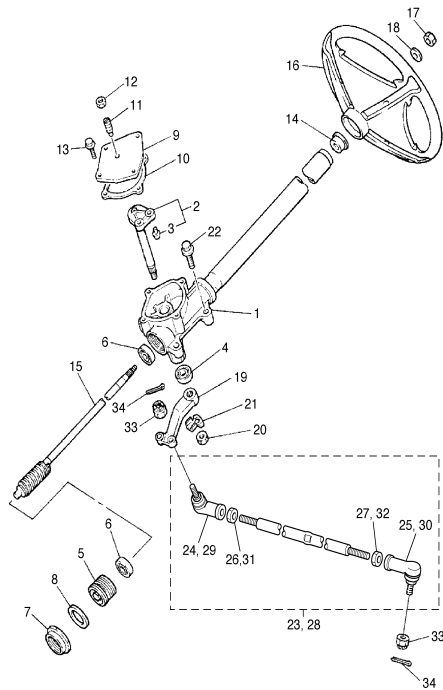
### CONTENTS

ACCELERATOR	C1
AIR SHROUD FAN	A8
BODY	C11-12
BODY 2	D1
BODY FITTING	D2
BRAKE	B9-10
BRAKE 2	B11
BRAKE 3	B12
BUMPER	C10
CAMSHAFT VALVE	A7
CARBURETOR	A10
CARRIER	D3-4
CRANKCASE	A12
CRANKSHAFT PISTON	A6
CYLINDER HEAD	A5
ELECTRICAL 1	D9
ELECTRICAL 2	D10-11
ENGINE ASSEMBLY	A4
ENGINE BRACKET	B1
EXHAUST	A11
FRAME	B3
FRONT SUSPENSION WHEEL	B4-5
FUEL TANK	B8
GOVERNOR	C2
HEADLIGHT	D8
INTAKE	A9
PRIMARY SHEAVE	C3
REAR ARM SUSPENSION	B2
REAR AXLE MOUNT WHEEL	C8
SEAT	D5
SECONDARY SHEAVE	C4
SHIFTER CABLES	C9
STARTING MOTOR	D6-7
STEERING	B6-7
TRANSMISSION 1	C5-7



JU5110-C130

# STEERING



Ref. No.	Part Number	Description	Qty	Remarks
1	JG5-F3811-00-00	COLUMN, STEERING	1	
2	J38-23816-00-00	ARM, PITMAN	1	
3	J38-23836-00-00	. PIN, PITMAN	2	
4	93102-22082-00	OIL SEAL	1	
5	J55-F3876-00-00	BOLT	1	
6	93332-000Y2-00	BEARING	2	
7	J10-23877-00-00	NUT	1	
8	J10-23444-00-00	WASHER	1	
9	JN3-F3818-00-00	COVER, STEERING	1	
10	J38-23462-01-00	SEAL, STEERING	1	
11	J10-F3459-00-00	BOLT	1	
12	90170-08024-00	NUT	1	
13	95807-06020-00	BOLT, FLANGE	4	
14	JN3-F3814-00-00	HOLDER, HANDLE UPPER	1	
15	J10-23840-00-00	STEERING SHAFT ASSY	1	
16	JN3-F3838-00-00	WHEEL, STEERING	1	
17	90185-12061-00	NUT, SELF-LOCKING	1	
18	9290P-12200-00	WASHER	1	
19	J38-23826-01-00	ARM, IDLER	1	
20	95707-16300-00	NUT, FLANGE	1	
21	90215-16814-00	WASHER, LOCK	1	
22	90105-10880-00	BOLT, FLANGE	4	
23	JN6-F3830-11-00	TIE ROD ASSY (L.H)	1	
24	JN6-F3841-00-00	. JOINT, UNIVERSAL 1	1	
25	JN6-F3845-00-00	. JOINT, UNIVERSAL 2	1	
26	9530N-10600-00	. NUT	1	
27	90170-10414-00	. NUT	1	
28	JN6-F3850-11-00	TIE ROD ASSY (R.H)	1	
29	JN6-F3841-00-00	. JOINT, UNIVERSAL 1	1	
30	JN6-F3845-00-00	. JOINT, UNIVERSAL 2	1	

## CONTENTS

ACCELERATOR	C1
AIR SHROUD FAN	A8
BODY	C11-12
BODY 2	D1
BODY FITTING	D2
BRAKE	B9-10
BRAKE 2	B11
BRAKE 3	B12
BUMPER	C10
CAMSHAFT VALVE	A7
CARBURETOR	A10
CARRIER	D3-4
CRANKCASE	A12
CRANKSHAFT PISTON	A6
CYLINDER HEAD	A5
ELECTRICAL 1	D9
ELECTRICAL 2	D10-11
ENGINE ASSEMBLY	A4
ENGINE BRACKET	B1
EXHAUST	A11
FRAME	B3
FRONT SUSPENSION WHEEL	B4-5
FUEL TANK	B8
GOVERNOR	C2
HEADLIGHT	D8
INTAKE	A9
PRIMARY SHEAVE	C3
REAR ARM SUSPENSION	B2
REAR AXLE MOUNT WHEEL	C8
SEAT	D5
SECONDARY SHEAVE	C4
SHIFTER CABLES	C9
STARTING MOTOR	D6-7
STEERING	B6-7
TRANSMISSION 1	C5-7



JU91110-C140

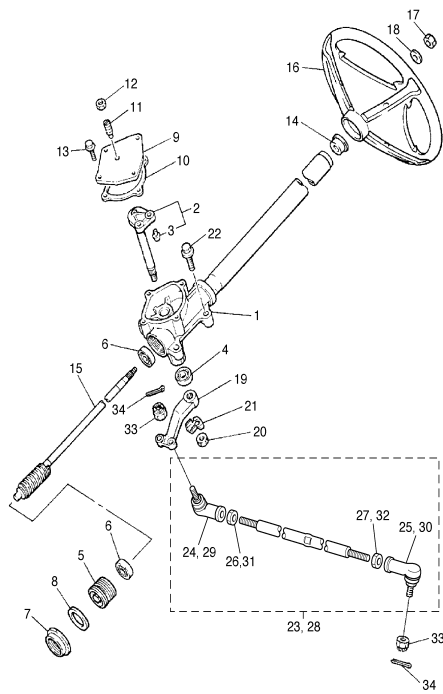
CONTINUED ON NEXT FRAME ►

# STEERING

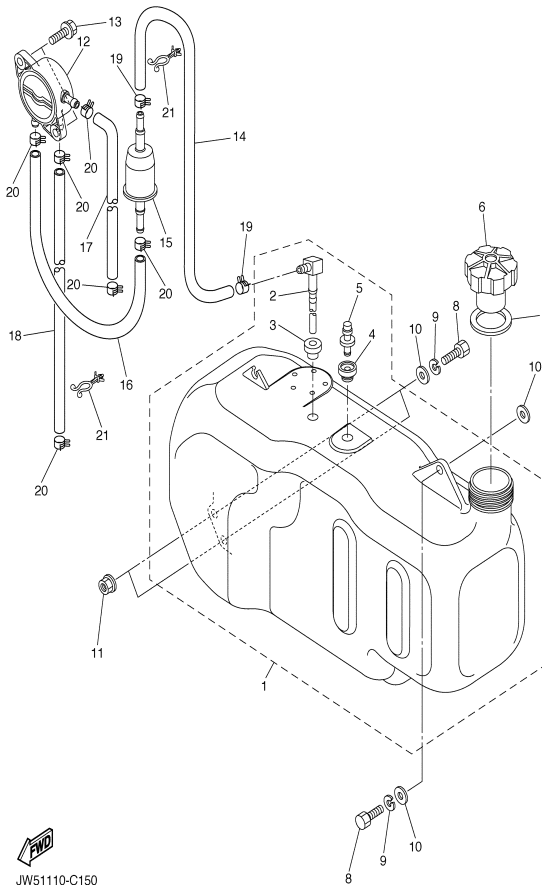
Ref. No.	Part Number	Description	Qty	Remarks
31	9530N-10600-00	. .NUT .....	1	
32	90170-10414-00	. .NUT .....	1	
33	95607-10200-00	NUT, U FLANGE .....	4	
34	91401-25020-00	PIN, COTTER .....	4	

## CONTENTS

ACCELERATOR	C1
AIR SHROUD FAN	A8
BODY	C11-12
BODY 2	D1
BODY FITTING	D2
BRAKE	B9-10
BRAKE 2	B11
BRAKE 3	B12
BUMPER	C10
CAMSHAFT VALVE	A7
CARBURETOR	A10
CARRIER	D3-4
CRANKCASE	A12
CRANKSHAFT PISTON	A6
CYLINDER HEAD	A5
ELECTRICAL 1	D9
ELECTRICAL 2	D10-11
ENGINE ASSEMBLY	A4
ENGINE BRACKET	B1
EXHAUST	A11
FRAME	B3
FRONT SUSPENSION WHEEL	B4-5
FUEL TANK	B8
GOVERNOR	C2
HEADLIGHT	D8
INTAKE	A9
PRIMARY SHEAVE	C3
REAR ARM SUSPENSION	B2
REAR AXLE MOUNT WHEEL	C8
SEAT	D5
SECONDARY SHEAVE	C4
SHIFTING CABLES	C9
STARTING MOTOR	D6-7
STEERING	B6-7
TRANSMISSION 1	C5-7



JU91110-C140



## FUEL TANK

Ref. No.	Part Number	Description	Qty	Remarks
1	JU5-F4110-00-00	FUEL TANK COMP. ....	1	
2	JU5-F4300-00-00	. .FUEL PIPE JOINT ....	1	
3	JU5-F4375-00-00	. .GROMMET ....	1	
4	J10-21773-00-00	. .GROMMET ....	1	
5	J24-24460-01-00	. RELEASE VALVE ASSY ....	1	
6	J24-24620-01-00	BODY CAP ASSY ....	1	
7	J10-24612-00-00	GASKET, CAP ....	1	
8	97007-08025-00	BOLT ....	3	
9	92907-08100-00	WASHER, SPRING ....	3	
10	90201-088S2-00	WASHER, PLATE ....	4	
11	9560P-08200-00	NUT ....	2	
12	JN6-F4410-10-00	FUEL PUMP ASSY ....	1	
13	JN6-F3394-00-00	BOLT, SPECIAL ....	2	
14	JU5-F4312-00-00	PIPE 2 ....	1	
15	JN6-F4560-00-00	FILTER ASSY ....	1	
16	JN6-F4311-20-00	PIPE, FUEL 1 ....	1	
17	JN6-F4313-20-00	PIPE 3 ....	1	
18	JN6-F4314-20-00	PIPE 4 ....	1	
19	90467-12845-00	CLIP ....	2	
20	90467-10846-00	CLIP ....	6	
21	90464-11816-00	CLAMP ....	2	

## CONTENTS

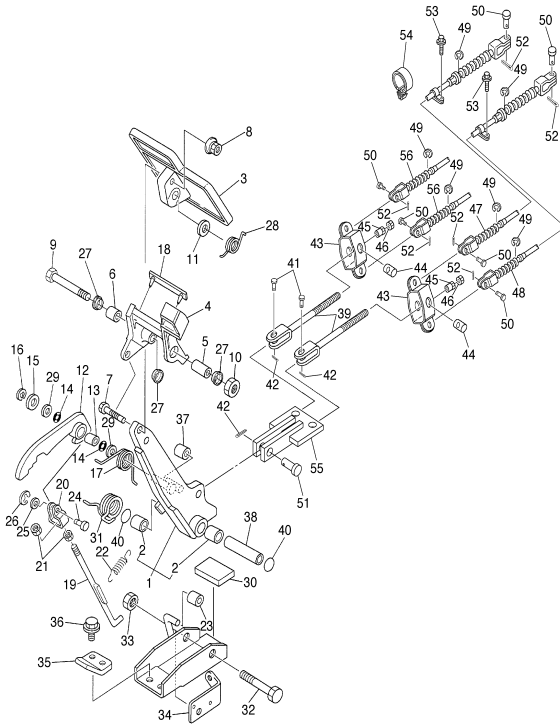
ACCELERATOR	C1
AIR SHROUD FAN	A8
BODY	C11-12
BODY 2	D1
BODY FITTING	D2
BRAKE	B9-10
BRAKE 2	B11
BRAKE 3	B12
BUMPER	C10
CAMSHAFT VALVE	A7
CARBURETOR	A10
CARRIER	D3-4
CRANKCASE	A12
CRANKSHAFT PISTON	A6
CYLINDER HEAD	A5
ELECTRICAL 1	D9
ELECTRICAL 2	D10-11
ENGINE ASSEMBLY	A4
ENGINE BRACKET	B1
EXHAUST	A11
FRAME	B3
FRONT SUSPENSION WHEEL	B4-5
FUEL TANK	B8
GOVERNOR	C2
HEADLIGHT	D8
INTAKE	A9
PRIMARY SHEAVE	C3
REAR ARM SUSPENSION	B2
REAR AXLE MOUNT WHEEL	C8
SEAT	D5
SECONDARY SHEAVE	C4
SHIFTER CABLES	C9
STARTING MOTOR	D6-7
STEERING	B6-7
TRANSMISSION 1	C5-7

# BRAKE

Ref. No.	Part Number	Description	Qty	Remarks
1	J46-27250-03-00	BRAKE ARM COMP. ....	1	
2	90384-14080-00	. BUSH, BIMETAL FORMED ...	2	
3	JU0-27211-01-00	PEDAL, BRAKE .....	1	
4	JU0-25671-00-00	PEDAL, PARKING BRAKE ....	1	
5	90387-08014-00	COLLAR .....	1	
6	90387-08013-00	COLLAR .....	1	
7	97027-06035-00	BOLT .....	1	
8	90179-07564-00	NUT .....	1	
9	97027-08100-00	BOLT .....	1	
10	95307-08600-00	NUT .....	1	
11	92907-08200-00	WASHER .....	1	
12	J17-25666-02-00	SECTOR, PARKING BRAKE ..	1	
13	90384-10162-00	BUSH, BIMETAL FORMED ....	1	
14	J17-27221-00-00	SEAL, SHAFT .....	2	
15	92907-10600-00	WASHER, PLATE .....	1	
16	99001-07600-00	CIRCLIP .....	1	
17	90508-14548-00	SPRING, TORSION .....	1	
18	J17-25672-01-00	PAD, PARKING PEDAL .....	1	
19	J17-27231-03-00	ROD, BRAKE .....	1	
20	J17-27232-00-00	END, ROD 2 .....	1	
21	95307-06700-00	NUT .....	2	
22	90506-09001-00	SPRING, TENSION .....	1	
23	J17-25673-00-00	DAMPER, BRAKE .....	1	
24	J17-27228-00-00	PIN, JOINT .....	1	
25	92907-05600-00	WASHER, PLATE .....	1	
26	99001-04600-00	CIRCLIP .....	1	
27	90387-12009-00	COLLAR .....	3	
28	90508-32015-00	SPRING, TORSION .....	1	
29	90201-104G8-00	WASHER, PLATE .....	2	
30	JN3-F7245-00-00	PAD, BRAKE PEDAL .....	1	

## CONTENTS

ACCELERATOR	C1
AIR SHROUD FAN	A8
BODY	C11-12
BODY 2	D1
BODY FITTING	D2
BRAKE	B9-10
BRAKE 2	B11
BRAKE 3	B12
BUMPER	C10
CAMSHAFT VALVE	A7
CARBURETOR	A10
CARRIER	D3-4
CRANKCASE	A12
CRANKSHAFT PISTON	A6
CYLINDER HEAD	A5
ELECTRICAL 1	D9
ELECTRICAL 2	D10-11
ENGINE ASSEMBLY	A4
ENGINE BRACKET	B1
EXHAUST	A11
FRAME	B3
FRONT SUSPENSION WHEEL	B4-5
FUEL TANK	B8
GOVERNOR	C2
HEADLIGHT	D8
INTAKE	A9
PRIMARY SHEAVE	C3
REAR ARM SUSPENSION	B2
REAR AXLE MOUNT WHEEL	C8
SEAT	D5
SECONDARY SHEAVE	C4
SHIFTER CABLES	C9
STARTING MOTOR	D6-7
STEERING	B6-7
TRANSMISSION 1	C5-7



JU51110-C160

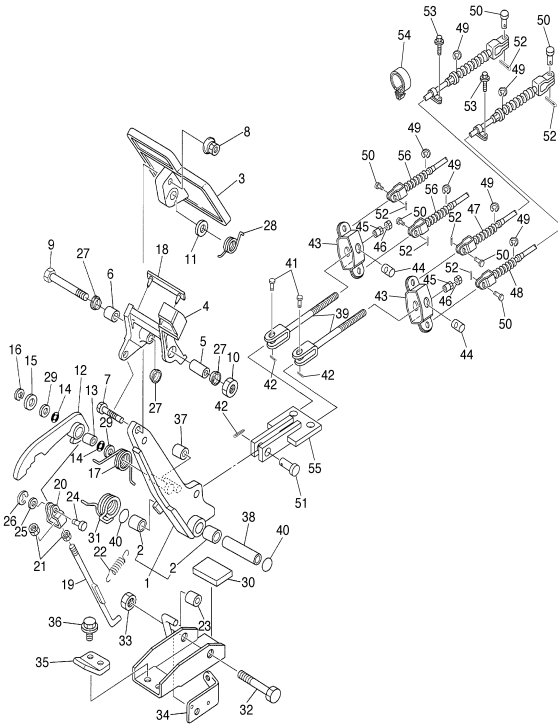
CONTINUED ON NEXT FRAME ►

# BRAKE

Ref. No.	Part Number	Description	Qty	Remarks
31	90508-40007-00	SPRING, TORSION	1	
32	90101-10884-00	BOLT	1	
33	95607-10200-00	NUT, U FLANGE	1	
34	J55-2252M-00-00	BRACKET, 3	1	
35	J17-27246-00-00	NAIL, BRAKE	1	
36	90105-08878-00	BOLT, FLANGE	2	
37	J17-25673-00-00	DAMPER, BRAKE	1	
38	90387-107F8-00	COLLAR	1	
39	JN6-F5685-00-00	ROD	2	
40	93210-132A8-00	O-RING	2	
41	91701-10022-00	PIN, CLEVIS	2	
42	91490-30015-00	PIN, COTTER	3	
43	J10-25681-00-00	EQUALIZER, BRAKE	2	
44	90249-14129-00	PIN	2	
45	90179-08894-00	NUT	2	
46	95307-08700-00	NUT	2	
47	JJ3-F6341-01-00	CABLE, BRAKE	1	
48	JJ3-F6351-02-00	CABLE, BRAKE	1	
49	99001-09600-00	CIRCLIP	8	
50	91701-08018-00	PIN, CLEVIS	8	
51	91701-10028-00	PIN, CLEVIS	1	
52	91490-25015-00	PIN, COTTER	8	
53	90105-06876-00	BOLT, FLANGE	2	
54	90464-19815-00	CLAMP	1	
55	JR6-F7215-00-00	LINK	1	
56	JR6-F6361-00-00	CABLE, BRAKE	2	

## CONTENTS

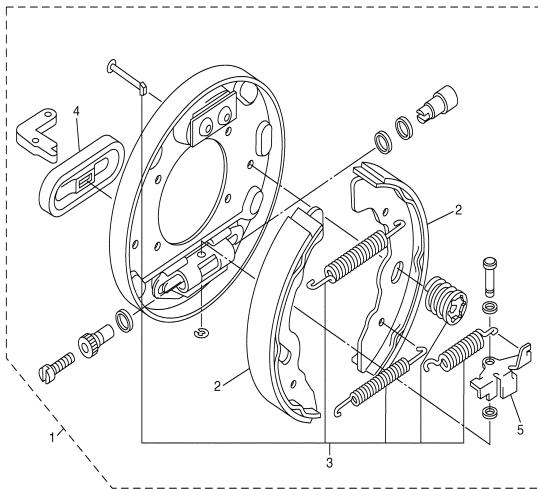
ACCELERATOR	C1
AIR SHROUD FAN	A8
BODY	C11-12
BODY 2	D1
BODY FITTING	D2
BRAKE	B9-10
BRAKE 2	B11
BRAKE 3	B12
BUMPER	C10
CAMSHAFT VALVE	A7
CARBURETOR	A10
CARRIER	D3-4
CRANKCASE	A12
CRANKSHAFT PISTON	A6
CYLINDER HEAD	A5
ELECTRICAL 1	D9
ELECTRICAL 2	D10-11
ENGINE ASSEMBLY	A4
ENGINE BRACKET	B1
EXHAUST	A11
FRAME	B3
FRONT SUSPENSION WHEEL	B4-5
FUEL TANK	B8
GOVERNOR	C2
HEADLIGHT	D8
INTAKE	A9
PRIMARY SHEAVE	C3
REAR ARM SUSPENSION	B2
REAR AXLE MOUNT WHEEL	C8
SEAT	D5
SECONDARY SHEAVE	C4
SHIFTER CABLES	C9
STARTING MOTOR	D6-7
STEERING	B6-7
TRANSMISSION 1	C5-7



JU51110-C160

## BRAKE 2

Ref. No.	Part Number	Description	Qty	Remarks
1	JN6-F7290-03-00	BACKING PLATE ASSY 2	2	L/S FRONT & REAR
2	JN6-F5331-01-00	.SHOE, BRAKE 1	2	
3	JN6-F819G-00-00	.REPAIR PARTS KIT	1	
4	JN6-F7286-00-00	.COVER, DUST	1	
5	JN6-F722E-00-00	.LEVER, ADJUSTOR (LH)	1	



## CONTENTS

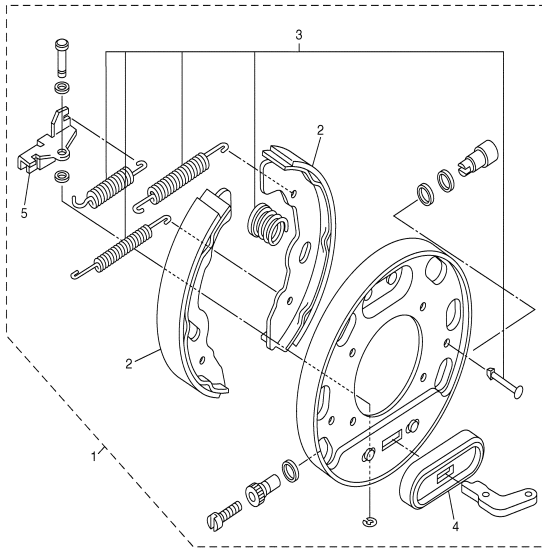
ACCELERATOR	C1
AIR SHROUD FAN	A8
BODY	C11-12
BODY 2	D1
BODY FITTING	D2
BRAKE	B9-10
BRAKE 2	B11
BRAKE 3	B12
BUMPER	C10
CAMSHAFT VALVE	A7
CARBURETOR	A10
CARRIER	D3-4
CRANKCASE	A12
CRANKSHAFT PISTON	A6
CYLINDER HEAD	A5
ELECTRICAL 1	D9
ELECTRICAL 2	D10-11
ENGINE ASSEMBLY	A4
ENGINE BRACKET	B1
EXHAUST	A11
FRAME	B3
FRONT SUSPENSION WHEEL	B4-5
FUEL TANK	B8
GOVERNOR	C2
HEADLIGHT	D8
INTAKE	A9
PRIMARY SHEAVE	C3
REAR ARM SUSPENSION	B2
REAR AXLE MOUNT WHEEL	C8
SEAT	D5
SECONDARY SHEAVE	C4
SHIFTER CABLES	C9
STARTING MOTOR	D6-7
STEERING	B6-7
TRANSMISSION 1	C5-7



JT71010-B160

## BRAKE 3

Ref. No.	Part Number	Description	Qty	Remarks
1	JN6-F7280-03-00	BACKING PLATE ASSY 1	2	R/S FRONT & REAR
2	JN6-F5341-01-00	.SHOE, BRAKE 2	2	
3	JN6-F819G-00-00	.REPAIR PARTS KIT	1	
4	JN6-F7286-00-00	.COVER, DUST	1	
5	JN6-F722F-00-00	.LEVER, ADJUSTOR (RH)	1	



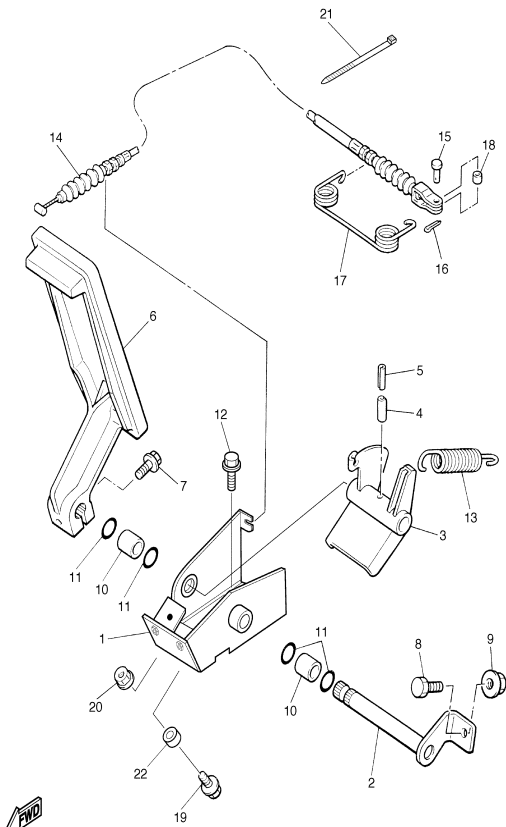
## CONTENTS

ACCELERATOR	C1
AIR SHROUD FAN	A8
BODY	C11-12
BODY FITTING	D2
BRAKE	B9-10
BRAKE 2	B11
BRAKE 3	B12
BUMPER	C10
CAMSHAFT VALVE	A7
CARBURETOR	A10
CARRIER	D3-4
CRANKCASE	A12
CRANKSHAFT PISTON	A6
CYLINDER HEAD	A5
ELECTRICAL 1	D9
ELECTRICAL 2	D10-11
ENGINE ASSEMBLY	A4
ENGINE BRACKET	B1
EXHAUST	A11
FRAME	B3
FRONT SUSPENSION WHEEL	B4-5
FUEL TANK	B8
GOVERNOR	C2
HEADLIGHT	D8
INTAKE	A9
PRIMARY SHEAVE	C3
REAR ARM SUSPENSION	B2
REAR AXLE MOUNT WHEEL	C8
SEAT	D5
SECONDARY SHEAVE	C4
SHIFTER CABLES	C9
STARTING MOTOR	D6-7
STEERING	B6-7
TRANSMISSION 1	C5-7



JT71010-B170





JT71010-B180

## ACCELERATOR

Ref. No.	Part Number	Description	Qty	Remarks
1	JN6-F7874-01-00	BRACKET, ACCELERATOR PEDAL .....	1	
2	J17-27853-01-00	SHAFT, PEDAL 1 .....	1	
3	J38-27872-00-00	ARM, ACCELERATOR PEDAL .	1	
4	91609-60028-00	PIN, SPRING .....	1	
5	91609-35028-00	PIN, SPRING .....	1	
6	J10-27871-01-00	PEDAL, ACCELERATOR .....	1	
7	95807-06025-00	BOLT, FLANGE .....	1	
8	90106-08806-00	BOLT .....	1	
9	95707-08500-00	.NUT, FLANGE .....	1	
10	90384-14080-00	BUSH, BIMETAL FORMED ....	2	
11	93210-14104-00	O-RING .....	4	
12	90105-08878-00	BOLT, FLANGE .....	3	
13	90506-26282-00	SPRING, TENSION .....	1	
14	JJ3-F6311-00-00	CABLE, THROTTLE 1 .....	1	
15	91701-05012-00	PIN, CLEVIS .....	1	
16	90468-10049-00	CLIP .....	1	
17	90508-16460-00	SPRING, TORSION .....	1	
18	90560-05001-00	SPACER .....	1	
19	95807-06025-00	BOLT, FLANGE .....	1	
20	95707-06500-00	NUT, FLANGE .....	1	
21	90464-40825-00	CLAMP .....	2	
22	90387-068T4-00	COLLAR .....	1	

## CONTENTS

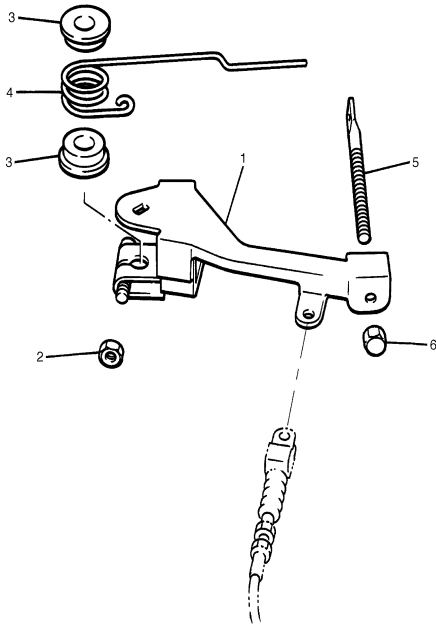
ACCELERATOR	C1
AIR SHROUD FAN	A8
BODY	C11-12
BODY 2	D1
BODY FITTING	D2
BRAKE	B9-10
BRAKE 2	B11
BRAKE 3	B12
BUMPER	C10
CAMSHAFT VALVE	A7
CARBURETOR	A10
CARRIER	D3-4
CRANKCASE	A12
CRANKSHAFT PISTON	A6
CYLINDER HEAD	A5
ELECTRICAL 1	D9
ELECTRICAL 2	D10-11
ENGINE ASSEMBLY	A4
ENGINE BRACKET	B1
EXHAUST	A11
FRAME	B3
FRONT SUSPENSION WHEEL	B4-5
FUEL TANK	B8
GOVERNOR	C2
HEADLIGHT	D8
INTAKE	A9
PRIMARY SHEAVE	C3
REAR ARM SUSPENSION	B2
REAR AXLE MOUNT WHEEL	C8
SEAT	D5
SECONDARY SHEAVE	C4
SHIFTER CABLES	C9
STARTING MOTOR	D6-7
STEERING	B6-7
TRANSMISSION 1	C5-7

# GOVERNOR

Ref. No.	Part Number	Description	Qty	Remarks
1	J38-27951-00-00	LEVER, SPEED LIMITER .....	1	
2	95307-06600-00	NUT .....	1	
3	90386-08141-00	BUSH .....	2	
4	90508-40678-00	SPRING, TORSION .....	1	
5	J38-27959-00-00	SCREW, ADJUSTING .....	1	
6	9560P-06200-00	NUT, FLANGE .....	1	

## CONTENTS

ACCELERATOR	C1
AIR SHROUD FAN	A8
BODY	C11-12
BODY 2	D1
BODY FITTING	D2
BRAKE	B9-10
BRAKE 2	B11
BRAKE 3	B12
BUMPER	C10
CAMSHAFT VALVE	A7
CARBURETOR	A10
CARRIER	D3-4
CRANKCASE	A12
CRANKSHAFT PISTON	A6
CYLINDER HEAD	A5
ELECTRICAL 1	D9
ELECTRICAL 2	D10-11
ENGINE ASSEMBLY	A4
ENGINE BRACKET	B1
EXHAUST	A11
FRAME	B3
FRONT SUSPENSION WHEEL	B4-5
FUEL TANK	B8
GOVERNOR	C2
HEADLIGHT	D8
INTAKE	A9
PRIMARY SHEAVE	C3
REAR ARM SUSPENSION	B2
REAR AXLE MOUNT WHEEL	C8
SEAT	D5
SECONDARY SHEAVE	C4
SHIFTER CABLES	C9
STARTING MOTOR	D6-7
STEERING	B6-7
TRANSMISSION 1	C5-7



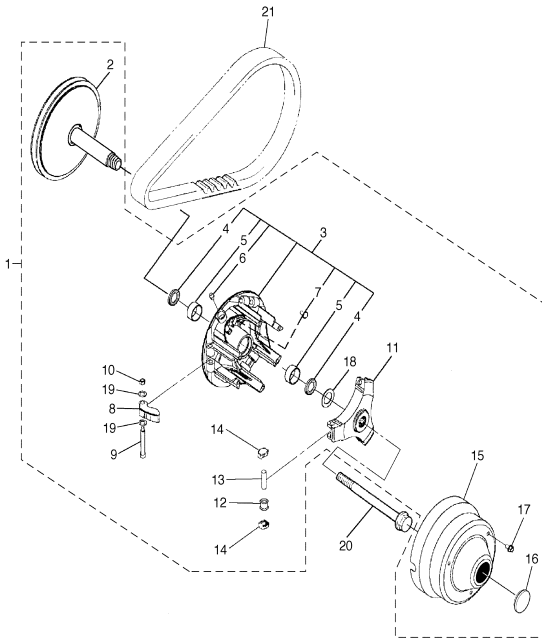
JT71010-B190

## PRIMARY SHEAVE

Ref. No.	Part Number	Description	Qty	Remarks
1	JN6-G6201-04-00	PRIMARY FIXED SHEAVE ASSY .....	1	
2	JN6-G6210-00-00	.. PRIMARY FIXED SHEAVE COMP. ....	1	
3	JN6-G6220-00-00	.. PRIMARY SLIDING SHEAVE COMP. ....	1	
4	93101-28831-00	... OIL SEAL .....	2	
5	90384-27823-00	... BUSH, BIMETAL FORMED ..	2	
6	93700-06810-00	... NIPPLE, GREASE .....	1	
7	90338-04840-00	... PLUG .....	3	
8	JN6-G6232-01-00	.. WEIGHT 1 .....	3	
9	90109-06860-00	.. BOLT .....	3	
10	90185-06834-00	.. NUT, SELF-LOCKING .....	3	
11	JN6-G6251-01-00	.. SPIDER .....	1	
12	JN6-G6258-02-00	.. COLLAR, ROLLER .....	3	
13	93610-358A3-00	.. PIN, DOWEL .....	3	
14	JN6-G6253-00-00	.. SLIDER .....	6	
15	JU0-G6231-00-00	.. CAP .....	1	
16	JU0-G6297-00-00	.. COVER, DUST .....	1	
17	90105-06861-00	.. BOLT, FLANGE .....	3	
18	90201-228K5-00	.. WASHER, PLATE .....	1	
19	JN6-G621F-00-00	.. SHIM, THRUST .....	6	
20	JN6-G6249-00-00	BOLT .....	1	
21	J55-G6241-00-00	V-BELT .....	1	

## CONTENTS

ACCELERATOR	C1
AIR SHROUD FAN	A8
BODY	C11-12
BODY 2	D1
BODY FITTING	D2
BRAKE	B9-10
BRAKE 2	B11
BRAKE 3	B12
BUMPER	C10
CAMSHAFT VALVE	A7
CARBURETOR	A10
CARRIER	D3-4
CRANKCASE	A12
CRANKSHAFT PISTON	A6
CYLINDER HEAD	A5
ELECTRICAL 1	D9
ELECTRICAL 2	D10-11
ENGINE ASSEMBLY	A4
ENGINE BRACKET	B1
EXHAUST	A11
FRAME	B3
FRONT SUSPENSION WHEEL	B4-5
FUEL TANK	B8
GOVERNOR	C2
HEADLIGHT	D8
INTAKE	A9
PRIMARY SHEAVE	C3
REAR ARM SUSPENSION	B2
REAR AXLE MOUNT WHEEL	C8
SEAT	D5
SECONDARY SHEAVE	C4
SHIFTER CABLES	C9
STARTING MOTOR	D6-7
STEERING	B6-7
TRANSMISSION 1	C5-7



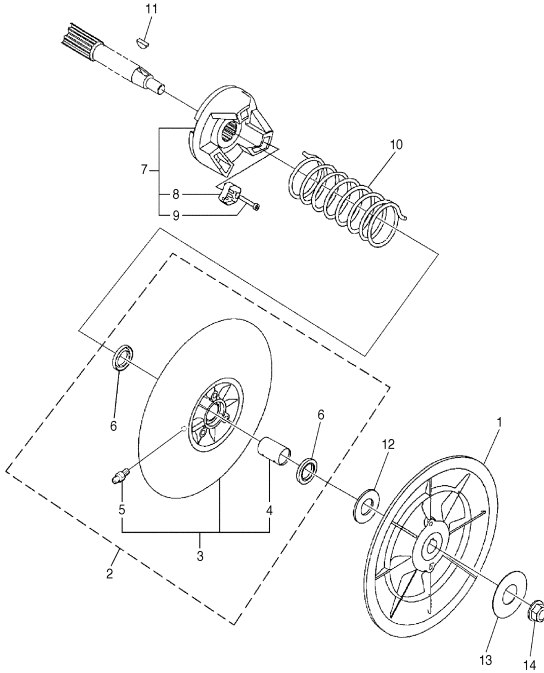
JT71010-B200

## SECONDARY SHEAVE

Ref. No.	Part Number	Description	Qty	Remarks
1	JN6-G6260-00-00	SECONDARY FIXED SHEAVE COMP. ....	1	
2	JN6-G6270-01-00	SECONDARY SLIDING SHEAVE COMP. ....	1	
3	JN6-G6271-02-00	..SECONDARY SLIDING SHEAVE .....	1	
4	90384-20824-00	... BUSH, BIMETAL FORMED ..	1	
5	93700-06809-00	... NIPPLE, GREASE .....	1	
6	93109-20069-00	..OIL SEAL .....	2	
7	JN6-G6280-00-00	SECONDARY SPRING SEAT COMP. ....	1	
8	JN6-E7688-00-00	..SHOE, RAMP .....	3	
9	90110-04834-00	..BOLT, HEXAGON SOCKET HEAD .....	3	
10	90508-45849-00	SPRING, TORSION .....	1	
11	90280-05022-00	KEY, WOODRUFF .....	1	
12	90202-20130-00	WASHER, PLATE .....	1	
13	90201-128S5-00	WASHER, PLATE .....	1	
14	95607-12200-00	NUT, SELF-LOCKING .....	1	

## CONTENTS

ACCELERATOR	C1
AIR SHROUD FAN	A8
BODY	C11-12
BODY 2	D1
BODY FITTING	D2
BRAKE	B9-10
BRAKE 2	B11
BRAKE 3	B12
BUMPER	C10
CAMSHAFT VALVE	A7
CARBURETOR	A10
CARRIER	D3-4
CRANKCASE	A12
CRANKSHAFT PISTON	A6
CYLINDER HEAD	A5
ELECTRICAL 1	D9
ELECTRICAL 2	D10-11
ENGINE ASSEMBLY	A4
ENGINE BRACKET	B1
EXHAUST	A11
FRAME	B3
FRONT SUSPENSION WHEEL	B4-5
FUEL TANK	B8
GOVERNOR	C2
HEADLIGHT	D8
INTAKE	A9
PRIMARY SHEAVE	C3
REAR ARM SUSPENSION	B2
REAR AXLE MOUNT WHEEL	C8
SEAT	D5
SECONDARY SHEAVE	C4
SHIFTER CABLES	C9
STARTING MOTOR	D6-7
STEERING	B6-7
TRANSMISSION 1	C5-7



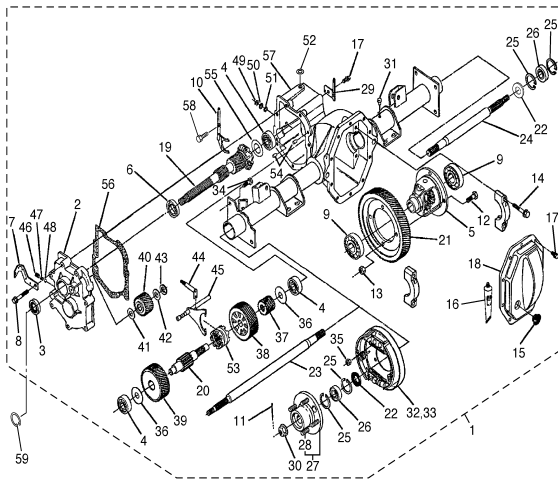
JT71010-B210

# TRANSMISSION 1

Ref. No.	Part Number	Description	Qty	Remarks
1	JR6-G6300-02-00	TRANS AXLE ASSY	1	
2	JN3-G6313-00-00	.COVER, TRANSMISSION	1	
3	93102-25868-00	.OIL SEAL	1	
4	93306-303Y6-00	.BEARING	3	
5	JN6-G6410-00-00	.DIFFERENTIAL ASSY.	1	
6	93306-005Y4-00	.BEARING	1	
7	JN6-G6555-00-00	.BRACKET 2	1	
8	90105-08859-00	.BOLT, FLANGE	7	
9	93306-007Y0-00	.BEARING	2	
10	JN3-G633E-01-00	.BAR 1	1	
11	90252-36801-00	.PIN, COTTER	2	
12	90101-10854-00	.BOLT	4	
13	90170-10840-00	.NUT	4	
14	90105-10840-00	.BOLT, FLANGE	4	
15	JN3-G6432-00-00	.STOPPER	1	
16	JH7-G6136-00-00	.SEAL 1	1	
17	90101-08856-00	.BOLT	11	
18	JN3-G6314-00-00	.COVER, TRANSMISSION	1	
19	JR6-G6320-01-00	.INPUT SHAFT ASSY	1	
20	JN3-G633G-00-00	.SHAFT	1	
21	JN3-G6355-00-00	.GEAR, PRIMARY	1	
22	93101-31836-00	.OIL SEAL	2	
23	JR3-G6511-00-00	.SHAFT, REAR AXLE 1 (L.H)	1	
24	JR3-G6512-00-00	.SHAFT, REAR AXLE 2 (R.H)	1	
25	93420-52806-00	.CIRCLIP	4	
26	93306-205X2-00	.BEARING	2	
27	JR3-G6514-00-00	.HUB, REAR AXLE	2	
28	90114-10804-00	...BOLT, SERRATION	4	
29	JN3-G6556-00-00	.BRACKET 3	1	
30	90185-19842-00	.NUT, SELF-LOCKING	2	

## CONTENTS

ACCELERATOR	C1
AIR SHROUD FAN	A8
BODY	C11-12
BODY 2	D1
BODY FITTING	D2
BRAKE	B9-10
BRAKE 2	B11
BRAKE 3	B12
BUMPER	C10
CAMSHAFT VALVE	A7
CARBURETOR	A10
CARRIER	D3-4
CRANKCASE	A12
CRANKSHAFT PISTON	A6
CYLINDER HEAD	A5
ELECTRICAL 1	D9
ELECTRICAL 2	D10-11
ENGINE ASSEMBLY	A4
ENGINE BRACKET	A11
EXHAUST	B1
FRAME	B3
FRONT SUSPENSION WHEEL	B4-5
FUEL TANK	B8
GOVERNOR	C2
HEADLIGHT	D8
INTAKE	A9
PRIMARY SHEAVE	C3
REAR ARM SUSPENSION	B2
REAR AXLE MOUNT WHEEL	C8
SEAT	D5
SECONDARY SHEAVE	C4
SHIFTER CABLES	C9
STARTING MOTOR	D6-7
STEERING	B6-7
TRANSMISSION 1	C5-7



JU51110-C230

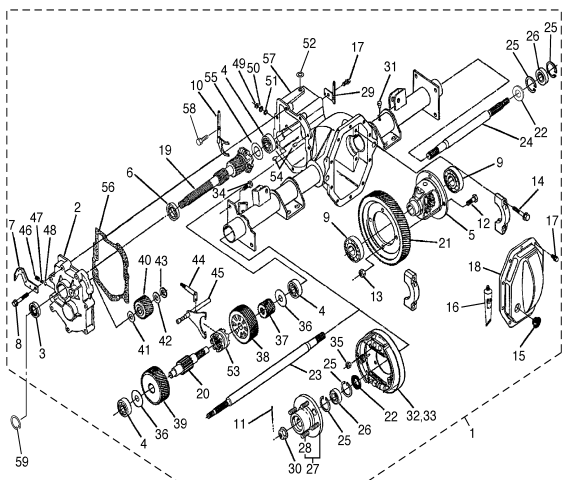
CONTINUED ON NEXT FRAME ►

# TRANSMISSION 1

Ref. No.	Part Number	Description	Qty	Remarks
31	JH7-G5619-00-00	.CAP .....	1	
32	JN6-F7290-03-00	.BACKING PLATE ASSY 2 ...	1	SEE BRAKE 2 (L.H)
33	JN6-F7280-03-00	.BACKING PLATE ASSY 1 ...	1	SEE BRAKE 3 (R.H)
34	90101-08855-00	.BOLT .....	8	
35	90170-08841-00	.NUT .....	8	
36	90201-178H8-00	.WASHER, PLATE .....	2	
37	JN3-G6316-00-00	.GEAR, PINION 1 .....	1	
38	JR6-G6326-00-00	.GEAR, WHEEL 1 .....	1	
39	JN3-G6327-00-00	.GEAR, WHEEL 2 .....	1	
40	JN3-G6356-00-00	.GEAR, IDLER .....	1	
41	90201-208H9-00	.WASHER, PLATE .....	1	
42	90201-208J0-00	.WASHER, PLATE .....	1	
43	93440-20813-00	.CIRCLIP .....	1	
44	JN3-G638A-00-00	.BAR, SHIFT 1 .....	1	
45	JN6-G638E-00-00	.BAR, SHIFT 2 .....	1	
46	90113-08803-00	.BOLT, SET .....	1	
47	90501-10852-00	.SPRING, COMPRESSION ...	1	
48	93500-06826-00	.BALL .....	1	
49	93410-12822-00	.CIRCLIP .....	1	
50	90202-12807-00	.WASHER, PLATE .....	1	
51	93104-11829-00	.OIL SEAL .....	1	
52	93109-10820-00	.O-RING .....	1	
53	JN3-G6153-00-00	.COLLAR, GUIDE .....	1	
54	93606-10842-00	.PIN, DOWEL .....	2	
55	JN3-G6344-00-00	.SHIM, 0.76MM (0.030IN) ...	1	UR
	JN3-G6344-10-00	.SHIM, 0.90MM (0.035IN) ...	1	UR
	JN3-G6344-20-00	.SHIM, 1.00MM (0.040IN) ...	1	UR
	JN3-G6344-30-00	.SHIM, 1.14MM (0.045IN) ...	1	UR
	JN3-G6344-40-00	.SHIM, 1.27MM (0.050IN) ...	1	UR
	JN3-G6344-50-00	.SHIM, 1.39MM (0.055IN) ...	1	UR

## CONTENTS

ACCELERATOR	C1
AIR SHROUD FAN	A8
BODY	C11-12
BODY 2	D1
BODY FITTING	D2
BRAKE	B9-10
BRAKE 2	B11
BRAKE 3	B12
BUMPER	C10
CAMSHAFT VALVE	A7
CARBURETOR	A10
CARRIER	D3-4
CRANKCASE	A12
CRANKSHAFT PISTON	A6
CYLINDER HEAD	A5
ELECTRICAL 1	D9
ELECTRICAL 2	D10-11
ENGINE ASSEMBLY	A4
ENGINE BRACKET	A11
EXHAUST	B1
FRAME	B3
FRONT SUSPENSION WHEEL	B4-5
FUEL TANK	B8
GOVERNOR	C2
HEADLIGHT	D8
INTAKE	A9
PRIMARY SHEAVE	C3
REAR ARM SUSPENSION	B2
REAR AXLE MOUNT WHEEL	C8
SEAT	D5
SECONDARY SHEAVE	C4
SHIFTER CABLES	C9
STARTING MOTOR	D6-7
STEERING	B6-7
TRANSMISSION 1	C5-7



FWD  
JU51110-C230

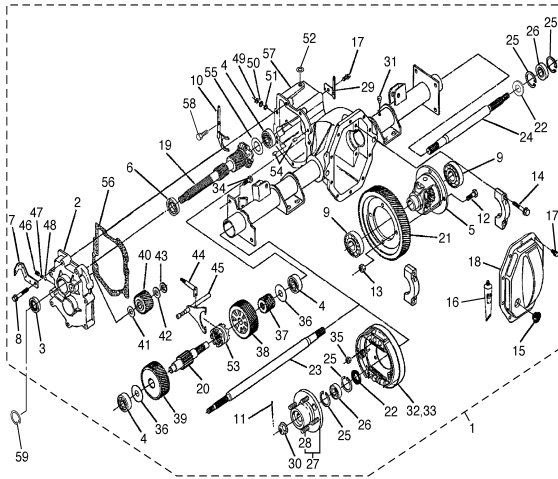
CONTINUED ON NEXT FRAME ►

# TRANSMISSION 1

Ref. No.	Part Number	Description	Qty	Remarks
55	JN3-G6344-60-00	.SHIM, 1.52MM (0.060IN)	.... 1	UR
	JN3-G6344-70-00	.SHIM, 1.65MM (0.065IN)	.... 1	UR
	JN3-G6344-80-00	.SHIM, 0.38MM (0.015IN)	.... 1	UR
	JN3-G6344-90-00	.SHIM, 1.78MM (0.070IN)	.... 1	UR
	JN3-G6344-A0-00	.SHIM, 1.92MM (0.075IN)	.... 1	UR
	JN3-G6344-B0-00	.SHIM, 2.03MM (0.080IN)	.... 1	UR
	JN3-G6344-C0-00	.SHIM, 2.12MM (0.085IN)	.... 1	UR
	JN3-G6344-D0-00	.SHIM, 2.29MM (0.090IN)	.... 1	UR
56	JN3-G6319-00-00	.GASKET	..... 1	
57	JR3-G6290-02-00	.CASE ASSY	..... 1	
58	JN3-G6249-00-00	.BOLT	..... 1	
59	93410-25017-00	CIRCLIP	..... 1	

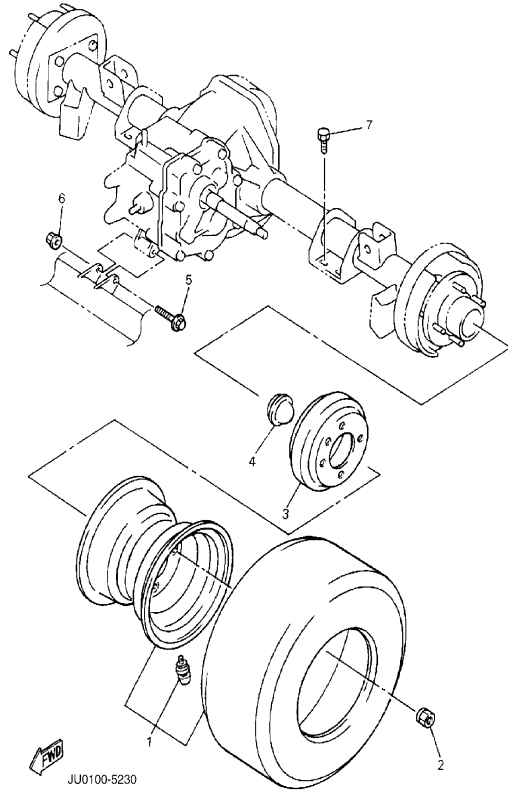
## CONTENTS

ACCELERATOR	C1
AIR SHROUD FAN	A8
BODY	C11-12
BODY 2	D1
BODY FITTING	D2
BRAKE	B9-10
BRAKE 2	B11
BRAKE 3	B12
BUMPER	C10
CAMSHAFT VALVE	A7
CARBURETOR	A10
CARRIER	D3-4
CRANKCASE	A12
CRANKSHAFT PISTON	A6
CYLINDER HEAD	A5
ELECTRICAL 1	D9
ELECTRICAL 2	D10-11
ENGINE ASSEMBLY	A4
ENGINE BRACKET	B1
EXHAUST	A11
FRAME	B3
FRONT SUSPENSION WHEEL	B4-5
FUEL TANK	B8
GOVERNOR	C2
HEADLIGHT	D8
INTAKE	A9
PRIMARY SHEAVE	C3
REAR ARM SUSPENSION	B2
REAR AXLE MOUNT WHEEL	C8
SEAT	D5
SECONDARY SHEAVE	C4
SHIFTER CABLES	C9
STARTING MOTOR	D6-7
STEERING	B6-7
TRANSMISSION 1	C5-7



JU51110-C230

## REAR AXLE MOUNT WHEEL



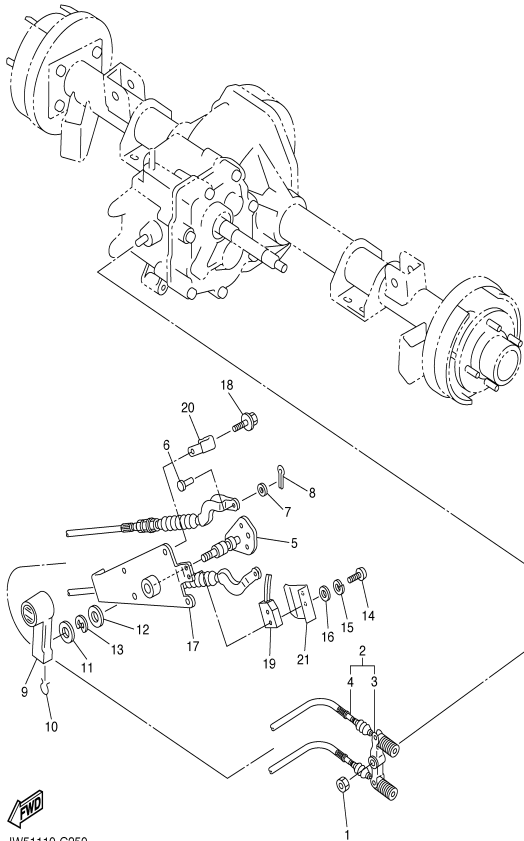
JU0100-5230

Ref. No.	Part Number	Description	Qty	Remarks
1	JR6-F5300-10-00	WHEEL ASSY (18X8.50-8 6PLY)	2	
2	90179-12262-00	NUT .....	8	
3	J55-G6521-10-00	DRUM .....	2	
4	JN6-F5118-00-00	COVER, HUB DUST .....	2	
5	9581P-08075-00	BOLT, FLANGE .....	1	
6	95707-08500-00	.NUT, FLANGE .....	1	
7	9751P-10620-00	BOLT, WITH WASHER .....	8	

### CONTENTS

ACCELERATOR	C1
AIR SHROUD FAN	A8
BODY	C11-12
BODY 2	D1
BODY FITTING	D2
BRAKE	B9-10
BRAKE 2	B11
BRAKE 3	B12
BUMPER	C10
CAMSHAFT VALVE	A7
CARBURETOR	A10
CARRIER	D3-4
CRANKCASE	A12
CRANKSHAFT PISTON	A6
CYLINDER HEAD	A5
ELECTRICAL 1	D9
ELECTRICAL 2	D10-11
ENGINE ASSEMBLY	A4
ENGINE BRACKET	B1
EXHAUST	A11
FRAME	B3
FRONT SUSPENSION WHEEL	B4-5
FUEL TANK	B8
GOVERNOR	C2
HEADLIGHT	D8
INTAKE	A9
PRIMARY SHEAVE	C3
REAR ARM SUSPENSION	B2
REAR AXLE MOUNT WHEEL	C8
SEAT	D5
SECONDARY SHEAVE	C4
SHIFTER CABLES	C9
STARTING MOTOR	D6-7
STEERING	B6-7
TRANSMISSION 1	C5-7





JW51110-C250

## SHIFTER CABLES

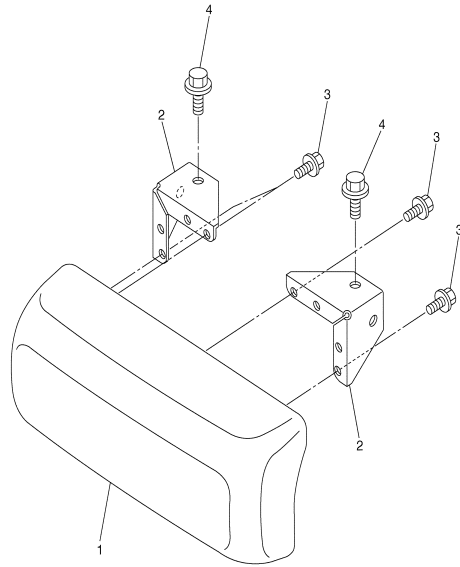
Ref. No.	Part Number	Description	Qty	Remarks
1	95607-08100-00	NUT, U .....	1	
2	JJ3-G8330-01-00	CABLE END ASSY .....	1	
3	J55-G6383-00-00	. LEVER, SHIFT 2 .....	1	
4	JJ3-G6371-01-00	. WIRE, SHIFT .....	2	
5	JF2-46382-00-00	LEVER, SHIFT 1 .....	1	
6	91701-06014-00	PIN, CLEVIS .....	2	
7	9290P-06600-00	WASHER .....	2	
8	91401-20012-00	PIN, COTTER .....	2	
9	JN3-G6381-00-00	KNOB, SHIFT .....	1	
10	JN3-G6376-00-00	SPRING SET .....	1	
11	90201-208S8-00	WASHER, PLATE .....	1	
12	90201-198S7-00	WASHER, PLATE .....	1	
13	99009-19400-00	CIRCLIP .....	1	
14	98507-04025-00	SCREW, PAN HEAD .....	2	
15	92907-04100-00	WASHER, SPRING .....	2	
16	92907-04600-00	WASHER .....	2	
17	JN3-G6372-00-00	BRACKET, SHIFT WIRE .....	1	
18	90105-06876-00	BOLT, FLANGE .....	4	
19	JN3-82617-01-00	SWITCH .....	1	
20	90465-06038-00	CLAMP .....	1	
21	JJ3-G6394-00-00	JOINT .....	1	

## CONTENTS

ACCELERATOR	C1
AIR SHROUD FAN	A8
BODY	C11-12
BODY 2	D1
BODY FITTING	D2
BRAKE	B9-10
BRAKE 2	B11
BRAKE 3	B12
BUMPER	C10
CAMSHAFT VALVE	A7
CARBURETOR	A10
CARRIER	D3-4
CRANKCASE	A12
CRANKSHAFT PISTON	A6
CYLINDER HEAD	A5
ELECTRICAL 1	D9
ELECTRICAL 2	D10-11
ENGINE ASSEMBLY	A4
ENGINE BRACKET	A1
EXHAUST	B1
FRAME	B3
FRONT SUSPENSION WHEEL	B4-5
FUEL TANK	B8
GOVERNOR	C2
HEADLIGHT	D8
INTAKE	A9
PRIMARY SHEAVE	C3
REAR ARM SUSPENSION	B2
REAR AXLE MOUNT WHEEL	C8
SEAT	D5
SECONDARY SHEAVE	C4
SHIFTER CABLES	C9
STARTING MOTOR	D6-7
STEERING	B6-7
TRANSMISSION 1	C5-7

# BUMPER

Ref. No.	Part Number	Description	Qty	Remarks
1	JN3-K7510-02-00	FRONT BUMPER COMP. ....	1	
2	JN8-K8164-00-00	STAY, FRONT BUMPER (L.H) .	2	
3	90105-06876-00	BOLT, FLANGE .....	4	
4	9581P-08016-00	BOLT, FLANGE .....	2	



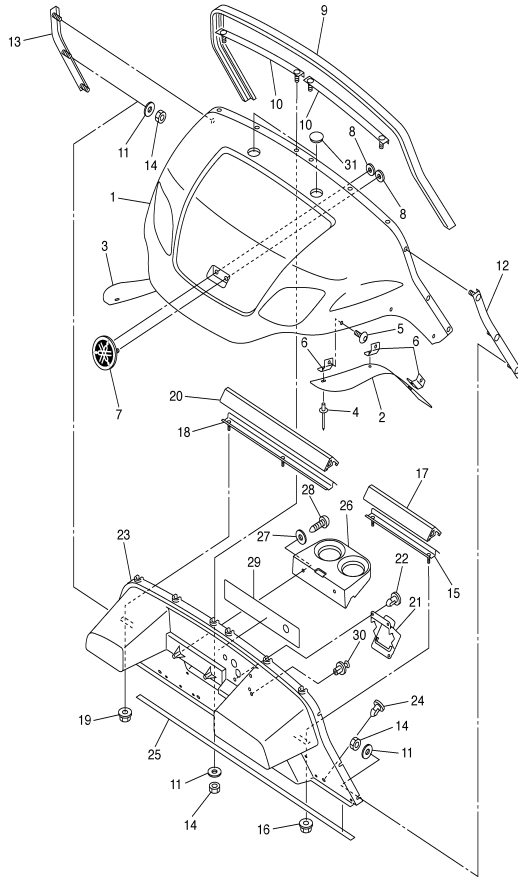
## CONTENTS

ACCELERATOR	C1
AIR SHROUD FAN	A8
BODY	C11-12
BODY 2	D1
BODY FITTING	D2
BRAKE	B9-10
BRAKE 2	B11
BRAKE 3	B12
BUMPER	C10
CAMSHAFT VALVE	A7
CARBURETOR	A10
CARRIER	D3-4
CRANKCASE	A12
CRANKSHAFT PISTON	A6
CYLINDER HEAD	A5
ELECTRICAL 1	D9
ELECTRICAL 2	D10-11
ENGINE ASSEMBLY	A4
ENGINE BRACKET	B1
EXHAUST	A11
FRAME	B3
FRONT SUSPENSION WHEEL	B4-5
FUEL TANK	B8
GOVERNOR	C2
HEADLIGHT	D8
INTAKE	A9
PRIMARY SHEAVE	C3
REAR ARM SUSPENSION	B2
REAR AXLE MOUNT WHEEL	C8
SEAT	D5
SECONDARY SHEAVE	C4
SHIFTER CABLES	C9
STARTING MOTOR	D6-7
STEERING	B6-7
TRANSMISSION 1	C5-7



JU51110-C260

C10



NOTE A: WHEN REPLACING " PANEL FRONT JU7-K8114-00-00", YOU SHOULD ALSO REPLACE "LABEL WARNING 1 JU5-K7761-00-00".

## BODY

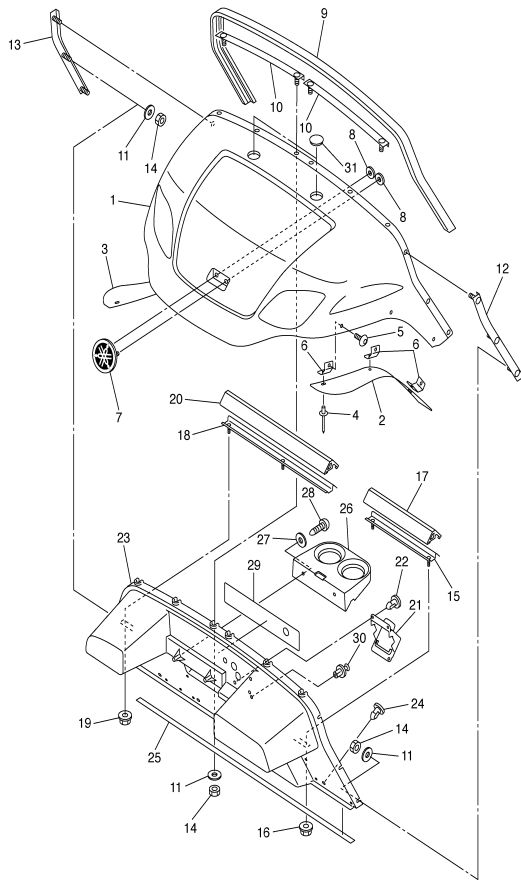
Ref. No.	Part Number	Description	Qty	Remarks
1	JU6-K811A-00-00	TRIM, UPPER COWL	1	
2	JR6-F1551-00-00	FENDER, OVER	1	
3	JR6-F1555-00-00	FENDER, OVER 2	1	
4	90267-48831-00	RIVET, BLIND	6	
5	90110-06836-00	BOLT, HEXAGON SOCKET HEAD	6	
6	JR6-F1546-00-00	STAY, FENDER 3	6	
7	JU0-F4161-00-00	EMBLEM 1	1	
8	JU0-K7573-00-00	NUT, SPECIAL	2	
9	JF2-K811V-00-00	PROTECTOR 1	1	
10	JU0-K8261-00-00	PLATE, BODY PROTECT 1	2	
11	90201-06829-00	WASHER, PLATE	10	
12	JF2-K8262-01-00	PLATE, BODY PROTECT 2	1	
13	JF2-K8263-01-00	PLATE, BODY PRTOTECT 3	1	
14	90185-06836-00	NUT, SELF-LOCKING	10	
15	JF2-K8264-00-00	PLATE, BODY PROTECT 4	1	
16	9560P-06200-00	NUT, FLANGE	2	
17	JF2-K811W-00-00	PROTECTOR 2	1	
18	JF2-K8265-00-00	PLATE, BODY PROTECT 5	1	
19	9560P-06200-00	NUT, FLANGE	2	
20	JF2-K811X-00-00	PROTECTOR 3	1	
21	JF2-78273-01-00	COVER, HOLE	1	
22	90269-11042-00	RIVET	3	
23	JU7-K8114-00-00	PANEL, FRONT	1	SEE NOTE A
24	90269-08066-00	RIVET	3	
25	JN3-K815G-00-00	SEAL, FRONT STORAGE	1	
26	JF2-K835E-00-00	HOLDER, BEVERAGE	1	
27	90201-068R6-00	WASHER, PLATE	2	
28	9770P-60130-00	SCREW, TAPPING	2	
29	JU5-K7761-00-00	LABEL, WARNING 1	1	SEE NOTE A

## CONTENTS

ACCELERATOR	C1
AIR SHROUD FAN	A8
BODY	C11-12
BODY 2	D1
BODY FITTING	D2
BRAKE	B9-10
BRAKE 2	B11
BRAKE 3	B12
BUMPER	C10
CAMSHAFT VALVE	A7
CARBURETOR	A10
CARRIER	D3-4
CRANKCASE	A12
CRANKSHAFT PISTON	A6
CYLINDER HEAD	A5
ELECTRICAL 1	D9
ELECTRICAL 2	D10-11
ENGINE ASSEMBLY	A4
ENGINE BRACKET	B1
EXHAUST	A11
FRAME	B3
FRONT SUSPENSION WHEEL	B4-5
FUEL TANK	B8
GOVERNOR	C2
HEADLIGHT	D8
INTAKE	A9
PRIMARY SHEAVE	C3
REAR ARM SUSPENSION	B2
REAR AXLE MOUNT WHEEL	C8
SEAT	D5
SECONDARY SHEAVE	C4
SHIFTER CABLES	C9
STARTING MOTOR	D6-7
STEERING	B6-7
TRANSMISSION 1	C5-7

CONTINUED ON NEXT FRAME ►





NOTE A: WHEN REPLACING " PANEL FRONT JU7-K8114-00-00", YOU SHOULD ALSO REPLACE "LABEL WARNING 1 JU5-K7761-00-00".

## BODY

Ref. No.	Part Number	Description	Qty	Remarks
30	90269-08069-00	RIVET .....	2	
31	JN3-K818E-00-00	CAP, PROTECTOR END 1 ....	2	

## CONTENTS

ACCELERATOR	C1
AIR SHROUD FAN	A8
BODY	C11-12
BODY 2	D1
BODY FITTING	D2
BRAKE	B9-10
BRAKE 2	B11
BRAKE 3	B12
BUMPER	C10
CAMSHAFT VALVE	A7
CARBURETOR	A10
CARRIER	D3-4
CRANKCASE	A12
CRANKSHAFT PISTON	A6
CYLINDER HEAD	A5
ELECTRICAL 1	D9
ELECTRICAL 2	D10-11
ENGINE ASSEMBLY	A4
ENGINE BRACKET	B1
EXHAUST	A11
FRAME	B3
FRONT SUSPENSION WHEEL	B4-5
FUEL TANK	B8
GOVERNOR	C2
HEADLIGHT	D8
INTAKE	A9
PRIMARY SHEAVE	C3
REAR ARM SUSPENSION	B2
REAR AXLE MOUNT WHEEL	C8
SEAT	D5
SECONDARY SHEAVE	C4
SHIFTER CABLES	C9
STARTING MOTOR	D6-7
STEERING	B6-7
TRANSMISSION 1	C5-7



JU51110-C270

G23-A

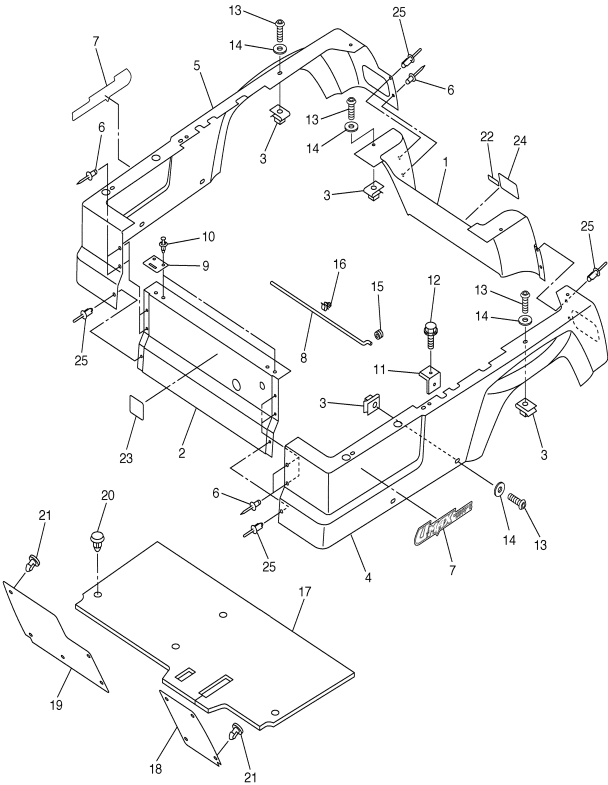
# C12

# BODY 2

Ref. No.	Part Number	Description	Qty	Remarks
1	JU9-K8142-00-00	PANEL, REAR BODY	1	SEE NOTE A
2	JU9-K8141-00-00	PANEL, INTERMEDIATE BODY	1	SEE NOTE B
3	90183-06811-00	NUT, SPRING	14	
4	JU9-K8111-00-00	PANEL, BODY SHELL	1	
5	JU9-K8112-00-00	PANEL, BODY SHELL	1	
6	90267-36853-00	RIVET, BLIND	6	
7	JU5-F1781-00-00	EMBLEM 1	2	
8	JJ3-K8226-00-00	ROD, SEAT STOPPER	1	
9	JJ3-K8427-01-00	HINGE, SEAT 2	2	
10	90267-64834-00	RIVET, BLIND	4	
11	JJ3-K814H-00-00	HOOK, BODY LOCK	2	
12	90119-08800-00	BOLT, WITH WASHER	2	
13	90110-06836-00	BOLT, HEXAGON SOCKET HEAD	14	
14	90201-068R6-00	WASHER, PLATE	14	
15	90480-13018-00	GROMMET	1	
16	90464-10814-00	CLAMP	1	
17	JN6-K8233-01-00	MAT, MAIN FLOOR 3	1	
18	JN6-K8231-01-00	MAT, MAIN FLOOR 1	1	
19	JN6-K8232-01-00	MAT, MAIN FLOOR 2	1	
20	90269-08813-00	RIVET	4	
21	90267-63047-00	RIVET, BLIND	9	
22	JJ3-K7765-00-00	LABEL, WARNING 5	1	SEE NOTE A
23	JN3-K7741-00-00	INDICATOR 1	1	SEE NOTE B
24	JU5-K7768-00-00	LABEL, WARNING	1	SEE NOTE A
25	90267-62841-00	RIVET, BLIND	4	

## CONTENTS

ACCELERATOR	C1
AIR SHROUD FAN	A8
BODY	C11-12
BODY 2	D1
BODY FITTING	D2
BRAKE	B9-10
BRAKE 2	B11
BRAKE 3	B12
BUMPER	C10
CAMSHAFT VALVE	A7
CARBURETOR	A10
CARRIER	D3-4
CRANKCASE	A12
CRANKSHAFT PISTON	A6
CYLINDER HEAD	A5
ELECTRICAL 1	D9
ELECTRICAL 2	D10-11
ENGINE ASSEMBLY	A4
ENGINE BRACKET	B1
EXHAUST	A11
FRAME	B3
FRONT SUSPENSION WHEEL	B4-5
FUEL TANK	B8
GOVERNOR	C2
HEADLIGHT	D8
INTAKE	A9
PRIMARY SHEAVE	C3
REAR ARM SUSPENSION	B2
REAR AXLE MOUNT WHEEL	C8
SEAT	D5
SECONDARY SHEAVE	C4
SHIFTER CABLES	C9
STARTING MOTOR	D6-7
STEERING	B6-7
TRANSMISSION 1	C5-7

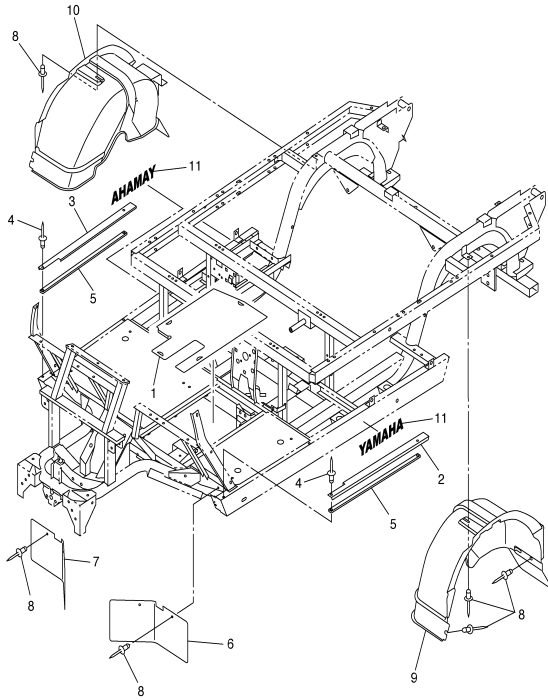


NOTE A: WHEN REPLACING "PANEL REAR BODY JU9-K8142-00-00", YOU MUST ALSO REPLACE "LABEL WARNING 5 JJ3-K7765-00-00", AND "LABEL WARNING JU5-K7768-00-00".

NOTE B: WHEN REPLACING "PANEL INTERMEDIATE BODY JU9-K8141-00-00", YOU MUST ALSO REPLACE "INDICATOR 1 JN3-K7741-00-00".



JU51110-C280



## BODY FITTING

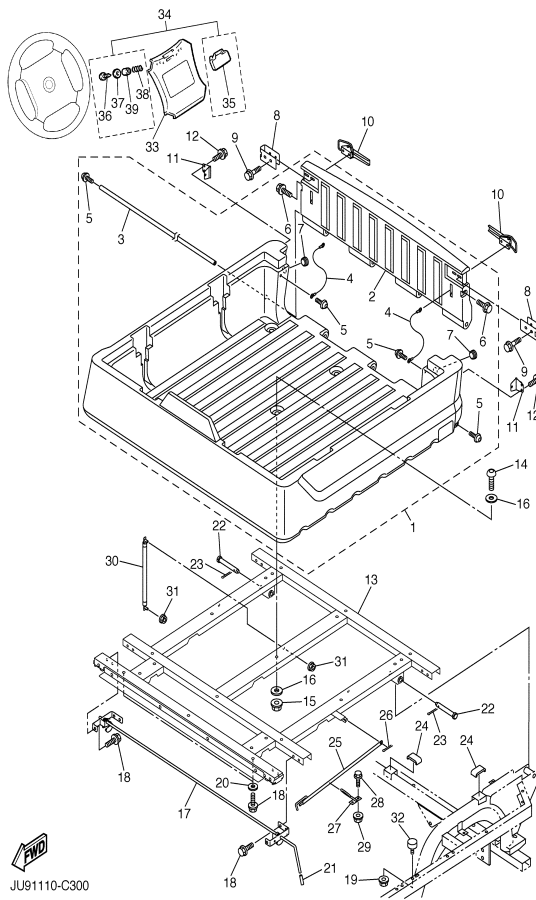
Ref. No.	Part Number	Description	Qty	Remarks
1	JN6-K8271-00-00	SERVICE LID, PEDAL	1	
2	JF2-K8215-10-00	PLATE, SIDE TRIM	1	
3	JF2-K821F-10-00	PLATE, SIDE TRIM	1	
4	90267-48154-00	RIVET, BLIND	4	
5	JJ3-K8124-00-00	REINFORCEMENT 4	2	
6	JF2-K8187-00-00	FLAP, FRONT FENDER (L.H)	1	
7	JF2-K8189-00-00	FLAP, FRONT FENDER (R.H)	1	
8	90267-48831-00	RIVET, BLIND	10	
9	JJ3-K8191-00-00	PANEL, REAR FENDER 1	1	
10	JJ3-K8192-00-00	PANEL, REAR FENDER 2	1	
11	JW5-F153A-00-00	EMBLEM, YAMAHA	2	

## CONTENTS

ACCELERATOR	C1
AIR SHROUD FAN	A8
BODY	C11-12
BODY 2	D1
BODY FITTING	D2
BRAKE	B9-10
BRAKE 2	B11
BRAKE 3	B12
BUMPER	C10
CAMSHAFT VALVE	A7
CARBURETOR	A10
CARRIER	D3-4
CRANKCASE	A12
CRANKSHAFT PISTON	A6
CYLINDER HEAD	A5
ELECTRICAL 1	D9
ELECTRICAL 2	D10-11
ENGINE ASSEMBLY	A4
ENGINE BRACKET	B1
EXHAUST	A11
FRAME	B3
FRONT SUSPENSION WHEEL	B4-5
FUEL TANK	B8
GOVERNOR	C2
HEADLIGHT	D8
INTAKE	A9
PRIMARY SHEAVE	C3
REAR ARM SUSPENSION	B2
REAR AXLE MOUNT WHEEL	C8
SEAT	D5
SECONDARY SHEAVE	C4
SHIFTER CABLES	C9
STARTING MOTOR	D6-7
STEERING	B6-7
TRANSMISSION 1	C5-7



JW51110-C290



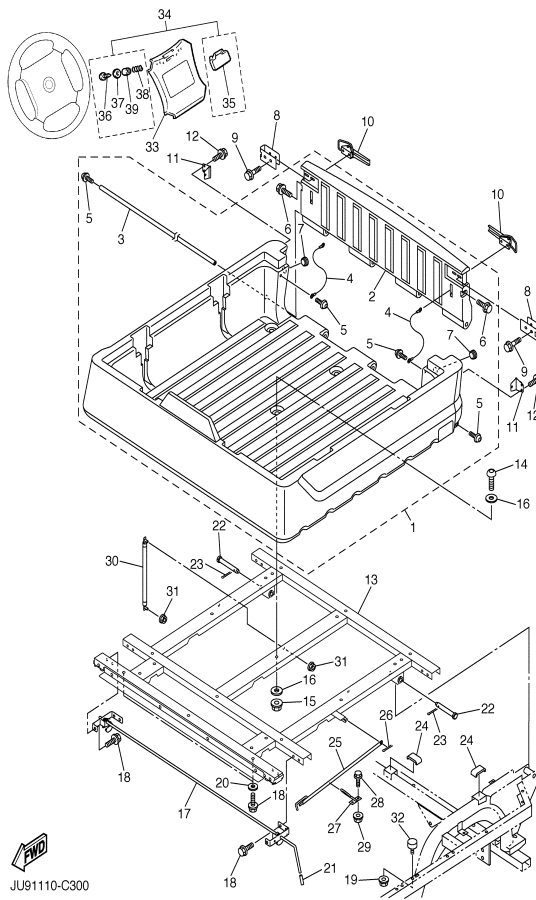
# CARRIER

Ref. No.	Part Number	Description	Qty	Remarks
1	JU5-K810M-00-00	REAR STORAGE BOX COMP. .	1	
2	JU9-K819K-00-00	.SHELL, RR. STORAGE LID .	1	
3	JU9-K8564-00-00	.PIN, HINGE . . . . .	1	
4	JU9-K7195-00-00	.HOLDER, CABLE . . . . .	2	
5	JU9-K6179-00-00	.BOLT, SPECIAL 1 . . . . .	4	
6	JU9-K6189-00-00	.BOLT, SPECIAL 2 . . . . .	2	
7	JU9-K7739-10-00	.DAMPER, LID . . . . .	2	
8	JU9-K7171-00-00	BODY, LATCH 1 . . . . .	2	
9	JU9-K8384-00-00	BOLT . . . . .	4	
10	5UG-F389E-00-00	.LATCH . . . . .	2	
11	JU9-K7172-00-00	BODY, LATCH 2 . . . . .	2	
12	90119-06830-00	BOLT, WITH WASHER . . . . .	6	
13	JU9-K818N-00-00	BED, BOX . . . . .	1	
14	92017-10035-00	BOLT, BUTTON HEAD . . . . .	7	
15	9560P-10200-00	NUT, FLANGE . . . . .	7	
16	90201-10144-00	WASHER, PLATE . . . . .	12	
17	JU9-K8380-01-00	LOCK ASSY . . . . .	1	
18	9582P-08020-00	BOLT, FLANGE . . . . .	8	
19	9560P-08200-00	NUT . . . . .	2	
20	90201-088P7-00	WASHER, PLATE . . . . .	2	
21	JJ3-K818M-00-00	CAP, PROTECTOR END 4 . . . .	1	
22	90240-13801-00	PIN, CLEVIS . . . . .	2	
23	91401-30025-00	PIN, SPLIT . . . . .	2	
24	JJ3-K815H-01-00	DAMPER, LOCK . . . . .	3	
25	JU5-K8158-00-00	ROD, INSPECTION LID . . . . .	1	
26	91401-20020-00	PIN, COTTER . . . . .	1	
27	JJ3-K8369-00-00	PIN, LEVER . . . . .	1	
28	90119-06830-00	BOLT, WITH WASHER . . . . .	2	
29	9560P-06200-00	NUT, FLANGE . . . . .	2	
30	JJ3-K7588-00-00	DAMPER . . . . .	1	

## CONTENTS

ACCELERATOR	C1
AIR SHROUD FAN	A8
BODY	C11-12
BODY 2	D1
BODY FITTING	D2
BRAKE	B9-10
BRAKE 2	B11
BRAKE 3	B12
BUMPER	C10
CAMSHAFT VALVE	A7
CARBURETOR	A10
CARRIER	D3-4
CRANKCASE	A12
CRANKSHAFT PISTON	A6
CYLINDER HEAD	A5
ELECTRICAL 1	D9
ELECTRICAL 2	D10-11
ENGINE ASSEMBLY	A4
ENGINE BRACKET	B1
EXHAUST	A11
FRAME	B3
FRONT SUSPENSION WHEEL	B4-5
FUEL TANK	B8
GOVERNOR	C2
HEADLIGHT	D8
INTAKE	A9
PRIMARY SHEAVE	C3
REAR ARM SUSPENSION	B2
REAR AXLE MOUNT WHEEL	C8
SEAT	D5
SECONDARY SHEAVE	C4
SHIFTER CABLES	C9
STARTING MOTOR	D6-7
STEERING	B6-7
TRANSMISSION 1	C5-7

CONTINUED ON NEXT FRAME ►



# CARRIER

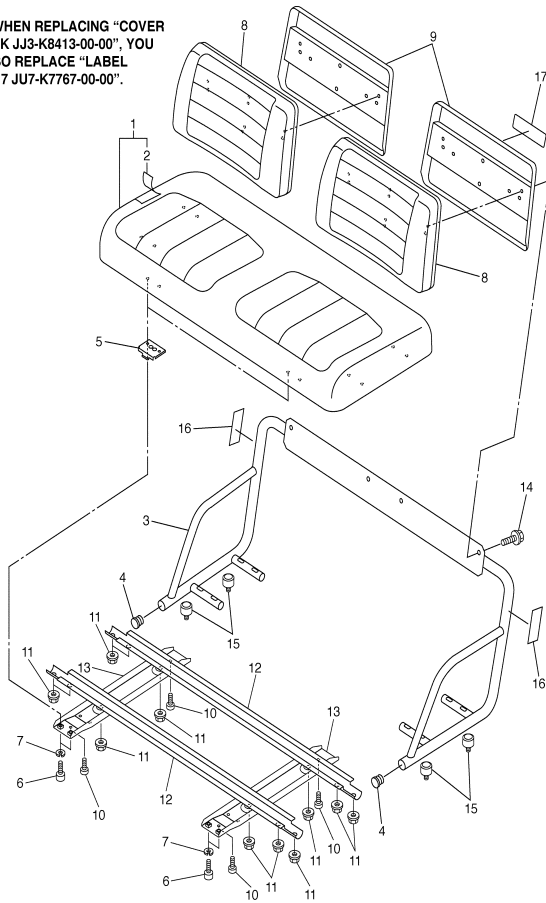
Ref. No.	Part Number	Description	Qty	Remarks
31	9560P-08200-00	NUT .....	2	
32	JU5-K8167-00-00	BUMPER, RUBBER 1 .....	2	
33	JN3-K8357-00-00	HOLDER 1 .....	1	
34	JN6-W001D-00-00	SCORE CARD HOLDER KIT ..	1	
35	JN6-K8358-01-00	..HOLDER 2 .....	1	
36	97707-40525-00	..SCREW, TAPPING .....	2	
37	90201-048R5-00	..WASHER, PLATE .....	2	
38	90502-10013-00	..SPRING, CONICAL .....	2	
39	90387-046N7-00	..COLLAR .....	2	

## CONTENTS

ACCELERATOR	C1
AIR SHROUD FAN	A8
BODY	C11-12
BODY 2	D1
BODY FITTING	D2
BRAKE	B9-10
BRAKE 2	B11
BRAKE 3	B12
BUMPER	C10
CAMSHAFT VALVE	A7
CARBURETOR	A10
CARRIER	D3-4
CRANKCASE	A12
CRANKSHAFT PISTON	A6
CYLINDER HEAD	A5
ELECTRICAL 1	D9
ELECTRICAL 2	D10-11
ENGINE ASSEMBLY	A4
ENGINE BRACKET	B1
EXHAUST	A11
FRAME	B3
FRONT SUSPENSION WHEEL	B4-5
FUEL TANK	B8
GOVERNOR	C2
HEADLIGHT	D8
INTAKE	A9
PRIMARY SHEAVE	C3
REAR ARM SUSPENSION	B2
REAR AXLE MOUNT WHEEL	C8
SEAT	D5
SECONDARY SHEAVE	C4
SHIFTER CABLES	C9
STARTING MOTOR	D6-7
STEERING	B6-7
TRANSMISSION 1	C5-7



NOTE B: WHEN REPLACING "COVER SEAT BACK JJ3-K8413-00-00", YOU MUST ALSO REPLACE "LABEL WARNING 7 JU7-K7767-00-00".



NOTE A: WHEN REPLACING "SEAT ASSY 2 JU9-K8420-00-00", YOU MUST ALSO REPLACE "LABEL WARNING 4 5UG-K7764-00-00".

## SEAT

Ref. No.	Part Number	Description	Qty	Remarks
1	JU9-K8401-00-00	SEAT SUB-ASSY, CUSHION ..	1	
2	JU9-K8404-00-00	.. COVER, SEAT .....	1	
3	JU9-K8420-00-00	SEAT ASSY 2 .....	1	SEE NOTE A
4	JU7-F111A-00-00	CAP, MAIN PIPE .....	2	
5	JN3-K8426-01-00	HINGE, SEAT 1 .....	2	
6	90111-06810-00	BOLT .....	4	
7	90204-06807-00	WASHER, SPRING .....	4	
8	JU7-K8402-00-00	SEAT SUB ASSY, BACK .....	2	
9	JJ3-K8413-10-00	COVER, SEAT BACK .....	2	SEE NOTE B
10	90167-04815-00	SCREW, TAPPING .....	4	
11	9560P-08200-00	NUT .....	12	
12	JN6-K8121-00-00	REINFORCEMENT 1 .....	2	
13	JN6-K8122-02-00	REINFORCEMENT 2 .....	2	
14	90119-06837-00	BOLT, WITH WASHER .....	4	
15	JU5-K8167-00-00	BUMPER, RUBBER 1 .....	4	
16	5UG-K7764-00-00	LABEL, WARNING 4 .....	2	SEE NOTE A
17	JU7-K7767-00-00	LABEL, WARNING 7 .....	1	SEE NOTE B

## CONTENTS

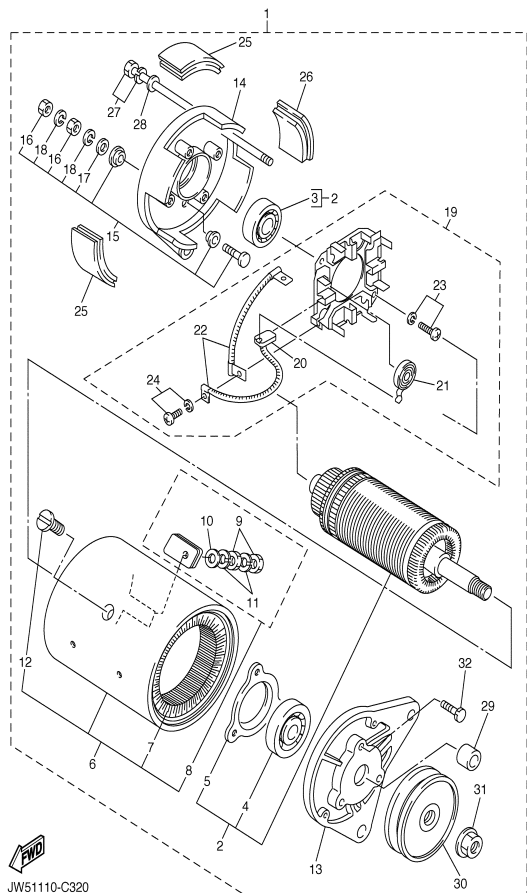
ACCELERATOR	C1
AIR SHROUD FAN	A8
BODY	C11-12
BODY 2	D1
BODY FITTING	D2
BRAKE	B9-10
BRAKE 2	B11
BRAKE 3	B12
BUMPER	C10
CAMSHAFT VALVE	A7
CARBURETOR	A10
CARRIER	D3-4
CRANKCASE	A12
CRANKSHAFT PISTON	A6
CYLINDER HEAD	A5
ELECTRICAL 1	D9
ELECTRICAL 2	D10-11
ENGINE ASSEMBLY	A4
ENGINE BRACKET	B1
EXHAUST	A11
FRAME	B3
FRONT SUSPENSION WHEEL	B4-5
FUEL TANK	B8
GOVERNOR	C2
HEADLIGHT	D8
INTAKE	A9
PRIMARY SHEAVE	C3
REAR ARM SUSPENSION	B2
REAR AXLE MOUNT WHEEL	C8
SEAT	D5
SECONDARY SHEAVE	C4
SHIFTER CABLES	C9
STARTING MOTOR	D6-7
STEERING	B6-7
TRANSMISSION 1	C5-7



JW51110-C310

G23-A

D5



JW51110-C320

## STARTING MOTOR

Ref. No.	Part Number	Description	Qty	Remarks
1	JN6-H1100-03-00	STARTER GENERATOR ASSY	1	
2	JN3-H1150-00-00	.. ARMATURE ASSY	1	
3	J10-H1157-10-00	.. BEARING 1 (6202 SD)	1	
4	J10-H1158-10-00	.. BEARING 2 (6203 SD)	1	
5	J10-H1159-10-00	.. HOLDER, BEARING	1	
6	JN6-H1110-10-00	.. STATOR ASSY	1	
7	JN6-H1160-10-00	.. FIELD COIL ASSY	1	
8	J10-81148-10-00	.. SCREW SET 4	2	
9	9530N-06600-00	.. NUT	2	
10	9290N-06600-00	.. WASHER	1	
11	9290N-06100-00	.. WASHER, SPRING	2	
12	J10-81146-10-00	.. SCREW 2	4	
13	J38-H1165-10-00	.. BRACKET, STARTER GENERATOR 1	1	
14	J10-H1166-10-00	.. BRACKET, STARTER GENERATOR 2	1	
15	J10-H1147-10-00	.. SCREW 3	2	
16	9530N-06600-00	.. NUT	2	
17	9290N-06600-00	.. WASHER	1	
18	9290N-06100-00	.. WASHER, SPRING	2	
19	JN6-H1119-00-00	.. BRUSH HOLDER ASSY	1	
20	JF2-H1111-00-00	.. BRUSH	4	
21	JN6-H1113-00-00	.. SPRING, BRUSH	4	
22	J10-H1115-10-00	.. WIRE, LEAD	2	
23	9850N-05016-00	.. SCREW, PAN HEAD	2	
24	9850N-04010-00	.. SCREW, PAN HEAD	4	
25	J10-H1129-10-00	.. COVER, BRUSH	3	
26	J10-H1139-10-00	.. COVER, BRUSH 2	1	
27	J10-81145-10-00	.. SCREW 1	2	
28	9290N-06600-00	.. WASHER	2	
29	JN3-H11661-00-00	.. SPACER	1	

## CONTENTS

ACCELERATOR	C1
AIR SHROUD FAN	A8
BODY	C11-12
BODY 2	D1
BODY FITTING	D2
BRAKE	B9-10
BRAKE 2	B11
BRAKE 3	B12
BUMPER	C10
CAMSHAFT VALVE	A7
CARBURETOR	A10
CARRIER	D3-4
CRANKCASE	A12
CRANKSHAFT PISTON	A6
CYLINDER HEAD	A5
ELECTRICAL 1	D9
ELECTRICAL 2	D10-11
ENGINE ASSEMBLY	A4
ENGINE BRACKET	A1
EXHAUST	B1
FRAME	B3
FRONT SUSPENSION WHEEL	B4-5
FUEL TANK	B8
GOVERNOR	C2
HEADLIGHT	D8
INTAKE	A9
PRIMARY SHEAVE	C3
REAR ARM SUSPENSION	B2
REAR AXLE MOUNT WHEEL	C8
SEAT	D5
SECONDARY SHEAVE	C4
SHIFTER CABLES	C9
STARTING MOTOR	D6-7
STEERING	B6-7
TRANSMISSION 1	C5-7

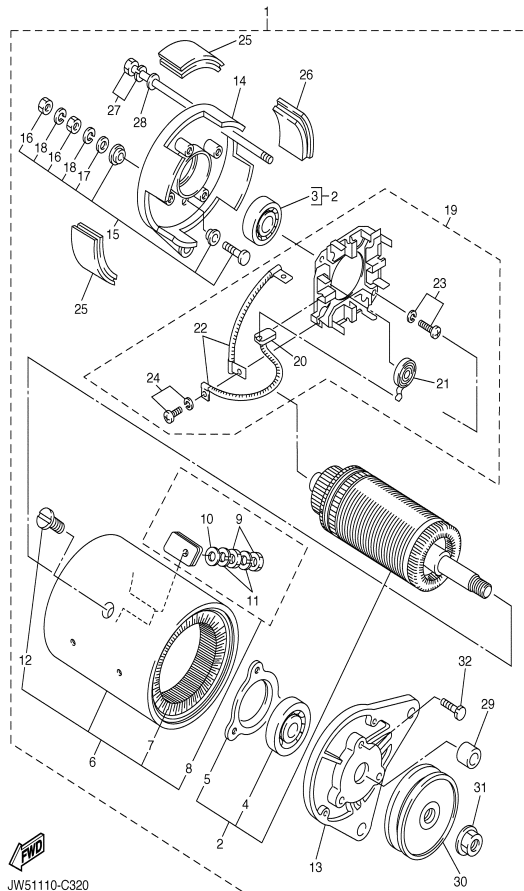
CONTINUED ON NEXT FRAME ►

# STARTING MOTOR

Ref. No.	Part Number	Description	Qty	Remarks
30	JN6-H1161-00-00	.. PULLEY .....	1	
31	90179-16889-00	.. NUT .....	1	
32	9850N-05018-00	.. SCREW, PAN HEAD .....	3	

## CONTENTS

ACCELERATOR	C1
AIR SHROUD FAN	A8
BODY	C11-12
BODY 2	D1
BODY FITTING	D2
BRAKE	B9-10
BRAKE 2	B11
BRAKE 3	B12
BUMPER	C10
CAMSHAFT VALVE	A7
CARBURETOR	A10
CARRIER	D3-4
CRANKCASE	A12
CRANKSHAFT PISTON	A6
CYLINDER HEAD	A5
ELECTRICAL 1	D9
ELECTRICAL 2	D10-11
ENGINE ASSEMBLY	A4
ENGINE BRACKET	B1
EXHAUST	A11
FRAME	B3
FRONT SUSPENSION WHEEL	B4-5
FUEL TANK	B8
GOVERNOR	C2
HEADLIGHT	D8
INTAKE	A9
PRIMARY SHEAVE	C3
REAR ARM SUSPENSION	B2
REAR AXLE MOUNT WHEEL	C8
SEAT	D5
SECONDARY SHEAVE	C4
SHIFTER CABLES	C9
STARTING MOTOR	D6-7
STEERING	B6-7
TRANSMISSION 1	C5-7



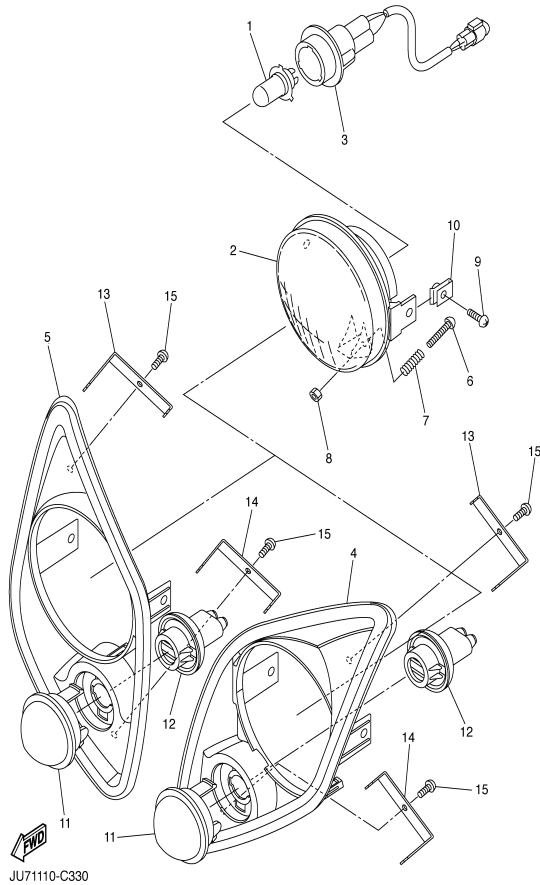
JW51110-C320

# HEADLIGHT

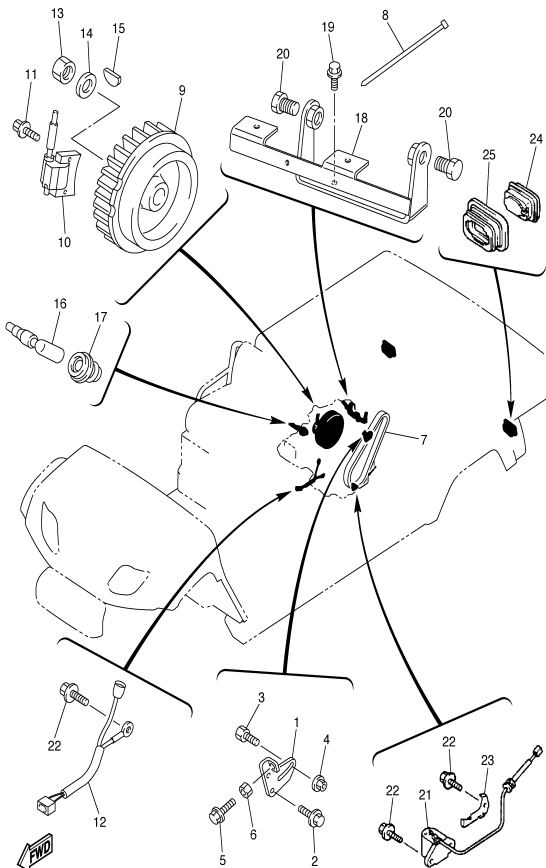
Ref. No.	Part Number	Description	Qty	Remarks
1	5FU-H4314-00-00	BULB, HEADLIGHT (12V-30/30W)	2	
2	5FU-H4320-00-00	LENS ASSY	2	
3	5FU-H4340-00-00	SOCKET CORD ASSY 1	2	
4	JU7-H411T-00-00	HOLDER, 1	1	LH
5	JU7-H411U-00-00	HOLDER, 2	1	RH
6	98507-03540-00	SCREW, PAN HEAD	2	
7	90501-10060-00	SPRING, COMPRESSION	2	
8	2GU-84334-00-00	NUT, ADJUSTING	2	
9	90150-05802-00	SCREW, ROUND HEAD	4	
10	90183-05008-00	NUT, SPRING	4	
11	JU7-H5415-00-00	MARK, SIGNAL LAMP	2	
12	JU7-H3547-00-00	COVER, SOCKET	2	
13	JU7-H4118-01-00	STAY, HEADLIGHT 1	2	
14	JU7-H4119-01-00	STAY, HEADLIGHT 2	2	
15	97707-40112-00	SCREW, TAPPING	4	

## CONTENTS

ACCELERATOR	C1
AIR SHROUD FAN	A8
BODY	C11-12
BODY 2	D1
BODY FITTING	D2
BRAKE	B9-10
BRAKE 2	B11
BRAKE 3	B12
BUMPER	C10
CAMSHAFT VALVE	A7
CARBURETOR	A10
CARRIER	D3-4
CRANKCASE	A12
CRANKSHAFT PISTON	A6
CYLINDER HEAD	A5
ELECTRICAL 1	D9
ELECTRICAL 2	D10-11
ENGINE ASSEMBLY	A4
ENGINE BRACKET	B1
EXHAUST	A11
FRAME	B3
FRONT SUSPENSION WHEEL	B4-5
FUEL TANK	B8
GOVERNOR	C2
HEADLIGHT	D8
INTAKE	A9
PRIMARY SHEAVE	C3
REAR ARM SUSPENSION	B2
REAR AXLE MOUNT WHEEL	C8
SEAT	D5
SECONDARY SHEAVE	C4
SHIFTER CABLES	C9
STARTING MOTOR	D6-7
STEERING	B6-7
TRANSMISSION 1	C5-7



D8



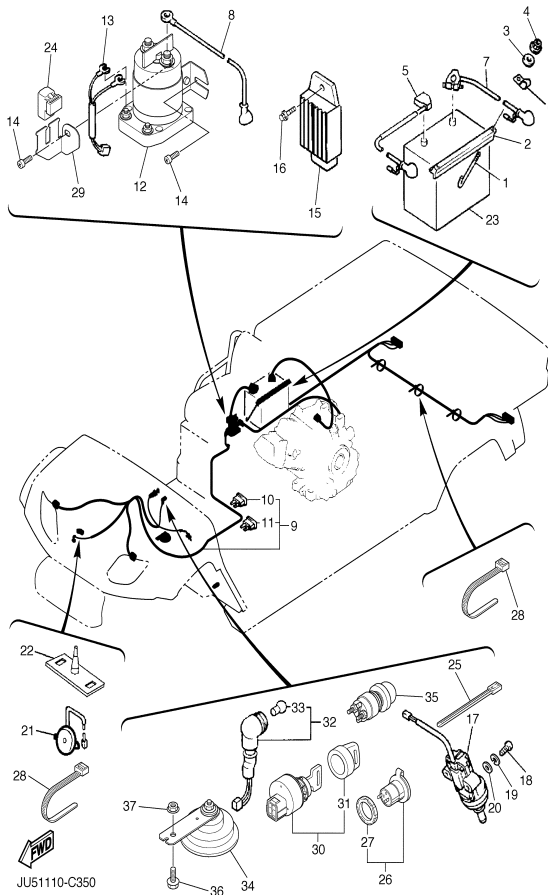
JU51110-C340

## ELECTRICAL 1

Ref. No.	Part Number	Description	Qty	Remarks
1	JN6-H1170-00-00	TENSIONER ASSY	1	
2	9582P-08020-00	BOLT, FLANGE	2	
3	90109-08875-00	BOLT	1	
4	95707-08500-00	.NUT, FLANGE	1	
5	90101-06478-00	BOLT	1	
6	95307-06600-00	NUT	1	
7	JN6-H1173-00-00	BELT	1	
8	90464-09823-00	CLAMP	1	
9	JR7-85650-00-00	ROTOR ASSY	1	
10	JN6-85640-01-00	T.C.I. UNIT ASSY	1	
11	95827-06025-00	BOLT, FLANGE	2	
12	JN6-82318-00-00	WIRE, SUB-LEAD	1	
13	95307-18600-00	NUT	1	
14	90201-18620-00	WASHER, PLATE	1	
15	90280-04052-00	KEY, WOODRUFF	1	
16	JN6-82370-00-00	PLUG CAP ASSY	1	
17	JE8-82372-00-00	SEAL, PLUG CAP	1	
18	JN6-H1171-00-00	BRACKET, STARTER GENERATOR	1	
19	9582P-08020-00	BOLT, FLANGE	2	
20	9581P-12025-00	BOLT, FLANGE	2	
21	JN6-85720-12-00	OIL LEVEL GAUGE ASSY	1	
22	95827-06012-00	BOLT, FLANGE	4	
23	JN6-85724-00-00	CLAMP	1	
24	JN3-H4700-00-00	TAILLIGHT ASSY	2	
25	JN3-H4718-00-00	GROMMET	2	

## CONTENTS

ACCELERATOR	C1
AIR SHROUD FAN	A8
BODY	C11-12
BODY 2	D1
BODY FITTING	D2
BRAKE	B9-10
BRAKE 2	B11
BRAKE 3	B12
BUMPER	C10
CAMSHAFT VALVE	A7
CARBURETOR	A10
CARRIER	D3-4
CRANKCASE	A12
CRANKSHAFT PISTON	A6
CYLINDER HEAD	A5
ELECTRICAL 1	D9
ELECTRICAL 2	D10-11
ENGINE ASSEMBLY	A4
ENGINE BRACKET	A11
EXHAUST	B1
FRAME	B3
FRONT SUSPENSION WHEEL	B4-5
FUEL TANK	B8
GOVERNOR	C2
HEADLIGHT	D8
INTAKE	A9
PRIMARY SHEAVE	C3
REAR ARM SUSPENSION	B2
REAR AXLE MOUNT WHEEL	C8
SEAT	D5
SECONDARY SHEAVE	C4
SHIFTER CABLES	C9
STARTING MOTOR	D6-7
STEERING	B6-7
TRANSMISSION 1	C5-7



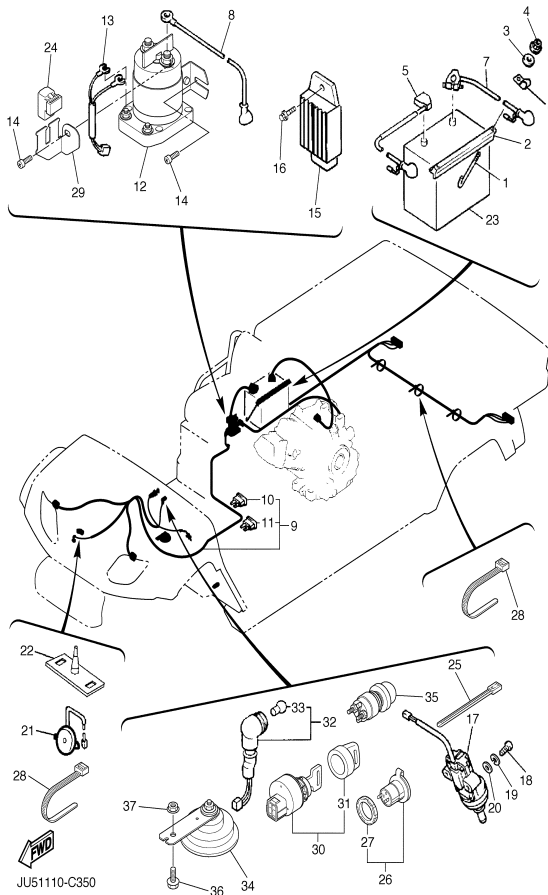
## ELECTRICAL 2

Ref. No.	Part Number	Description	Qty	Remarks
1	JN3-H2133-00-00	SCREW, FITTING	2	
2	J55-H2136-00-00	PLATE, BATTERY FITTING	1	
3	9290P-06200-00	WASHER	2	
4	95707-06500-00	NUT, FLANGE	2	
5	JU9-H2115-00-00	WIRE, PLUS LEAD	1	
6	90461-08031-00	CLAMP	2	
7	JR3-H2116-00-00	WIRE, MINUS LEAD	1	
8	JR3-H2117-00-00	WIRE, LEAD	1	
9	JU9-H2590-01-00	WIRE HARNESS ASSY	1	
10	JN6-H2151-00-00	. FUSE (10 A)	2	
11	JU7-H2151-00-00	. FUSE (20 A)	1	
12	JR3-H1950-00-00	RELAY ASSY	1	
13	JN6-H2105-00-00	WIRE HARNESS	1	
14	90163-06005-00	SCREW, TAPPING	2	
15	JF2-81910-01-00	VOLTAGE REGULATOR ASSY	1	
16	90105-06876-00	BOLT, FLANGE	1	
17	JF7-82817-20-00	SWITCH	1	
18	98507-05025-00	SCREW, PAN HEAD	2	
19	92907-05100-00	WASHER, SPRING	2	
20	92907-05600-00	WASHER, PLATE	2	
21	JR1-H3383-01-00	BUZZER	1	
22	JN6-H3386-01-00	STAY, BUZZER	1	
23	JG5-H2110-01-00	BATTERY ASSY (GC-24, 12V)	1	LM (12 V, BCI GROUP 24, CCA: MIN 400A)
24	4U8-81950-02-00	RELAY ASSY	1	
25	90464-40825-00	CLAMP	5	
26	5FU-H1920-10-00	TERMINAL ASSY	1	
27	5FU-H191B-10-00	. NUT	1	
28	90464-14806-00	CLAMP	5	
29	JU7-F253B-00-00	STAY, RELAY	1	

## CONTENTS

ACCELERATOR	C1
AIR SHROUD FAN	A8
BODY	C11-12
BODY 2	D1
BODY FITTING	D2
BRAKE	B9-10
BRAKE 2	B11
BRAKE 3	B12
BUMPER	C10
CAMSHAFT VALVE	A7
CARBURETOR	A10
CARRIER	D3-4
CRANKCASE	A12
CRANKSHAFT PISTON	A6
CYLINDER HEAD	A5
ELECTRICAL 1	D9
ELECTRICAL 2	D10-11
ENGINE ASSEMBLY	A4
ENGINE BRACKET	B1
EXHAUST	A11
FRAME	B3
FRONT SUSPENSION WHEEL	B4-5
FUEL TANK	B8
GOVERNOR	C2
HEADLIGHT	D8
INTAKE	A9
PRIMARY SHEAVE	C3
REAR ARM SUSPENSION	B2
REAR AXLE MOUNT WHEEL	C8
SEAT	D5
SECONDARY SHEAVE	C4
SHIFTER CABLES	C9
STARTING MOTOR	D6-7
STEERING	B6-7
TRANSMISSION 1	C5-7

CONTINUED ON NEXT FRAME ➤



## ELECTRICAL 2

Ref. No.	Part Number	Description	Qty	Remarks
30	JU7-H2510-00-00	MAIN SWITCH ASSY	1	
31	5UG-H2579-00-00	..CAP, KEY	1	
32	JN6-83530-00-00	PILOT LIGHT ASSY	1	
33	123-83516-21-00	.. BULB (12V-3.4W)	1	US MARKET ONLY
34	4LR-83371-10-00	HORN	1	
35	JR6-H270X-00-00	SWITCH	1	
36	9582P-06016-00	BOLT, FLANGE	1	
37	95707-06500-00	NUT, FLANGE	1	

## CONTENTS

ACCELERATOR	C1
AIR SHROUD FAN	A8
BODY	C11-12
BODY 2	D1
BODY FITTING	D2
BRAKE	B9-10
BRAKE 2	B11
BRAKE 3	B12
BUMPER	C10
CAMSHAFT VALVE	A7
CARBURETOR	A10
CARRIER	D3-4
CRANKCASE	A12
CRANKSHAFT PISTON	A6
CYLINDER HEAD	A5
ELECTRICAL 1	D9
ELECTRICAL 2	D10-11
ENGINE ASSEMBLY	A4
ENGINE BRACKET	B1
EXHAUST	A11
FRAME	B3
FRONT SUSPENSION WHEEL	B4-5
FUEL TANK	B8
GOVERNOR	C2
HEADLIGHT	D8
INTAKE	A9
PRIMARY SHEAVE	C3
REAR ARM SUSPENSION	B2
REAR AXLE MOUNT WHEEL	C8
SEAT	D5
SECONDARY SHEAVE	C4
SHIFTER CABLES	C9
STARTING MOTOR	D6-7
STEERING	B6-7
TRANSMISSION 1	C5-7